

BASKETBALL HOOP

ASSEMBLY MANUAL



Thunder



PAGE 6

VULY *Z*



PAGE 6

VULY *Lite*



PAGE 6

CLASSIC



PAGE 8

Improper use or lack of care can lead to your Basketball Set deteriorating earlier than expected. Please follow all of these care instructions to ensure that your Basketball Set lasts for as long as possible.

WEATHER CARE



Disassemble your trampoline and basketball set.



Remove your basketball set in strong winds. The additional weight of the net poles can increase the chance of your trampoline's net becoming damaged.



Cover or remove your basketball hoop if not in use. Long exposure to the sun will fade the material on the hoop.

STORAGE

Store in a cool, dry place in the original packaging.

IMPORTANT NOTES

Metal Rust and Corrosion

- Be aware of areas that are particularly prone to rusting:
- Places where water is easily trapped.
- Hollow sections of steel (which can appear in good condition on the outside, while hiding rust on the inside).
- Weld lines.
- Sections where different metal components join together.
- Inserts in net poles.
- Hoop hinges.
- Inspect the inside of the backboard frame every 6 months, and remove any water from the inside surfaces. Check tube and pole connection areas for rust.
- Use general purpose grease on steel connection areas to reduce the chance of corrosion.
- Avoid excessively cleaning steel components, as it may reduce the effectiveness of our protective coatings.

Textile deterioration

- Clean your hoop with a soft sponge only to avoid ripping or cutting the material.
- Avoid using powerful soaps or detergents; they can damage the hoop.
- Wipe dry any water used to clean the hoop with an absorbent cloth; do not leave the hoop to dry in the sun.

SAVE THESE INSTRUCTIONS IN CASE YOU HAVE TO CONTACT VULVY FOR REPLACEMENT PARTS.

Remember: Failure to follow these safety instructions may result in injury or property damage, and will also void your warranty.

SAFETY WARNINGS FOR INSTALLATION

- Install using 2 capable adults.
- Check that there are no overhead power lines within a 7 m (20 ft) radius of the basketball hoop system.
- Assemble the system in accordance with these instructions only. Identify parts using the hardware identifier and parts list in this document.
- Exercise caution if using a ladder during assembly.
- Tighten all bolts securely.
- Ensure that the system is properly and completely assembled before use. There is a much higher probability of injury if the system is not assembled or maintained correctly.

SAFETY WARNINGS FOR USE

- Check and repair any loose components before each use.
- Check for any rusting before each use. Remove it, and repaint with exterior enamel. If the rusting has penetrated any steel component, replace it immediately.

THE OWNER MUST ENSURE THAT ALL PLAYERS KNOW AND FOLLOW THESE RULES TO SAFELY OPERATE THE BASKETBALL HOOP SYSTEM:

- Exercise caution when playing with the system.
- Avoid climbing or playing on the system.
- Refrain from playing on damaged equipment at all times.
- Keep your face away from the backboard, hoop and net during play (especially during 'dunking' activities) to avoid injury to your face or teeth.
- Keep hands and fingers away from moving parts.
- Remove jewellery before use; it may become tangled in the net.
- Keep water, or other organic material, away from the basketball set; it may cause the system to rust and fail.
- Do not use the system in severe weather.
- Maintain proper use and supervision to reduce the risk of accident or injury. There is a much higher probability of injury if players are unsupervised, or system is not used correctly.

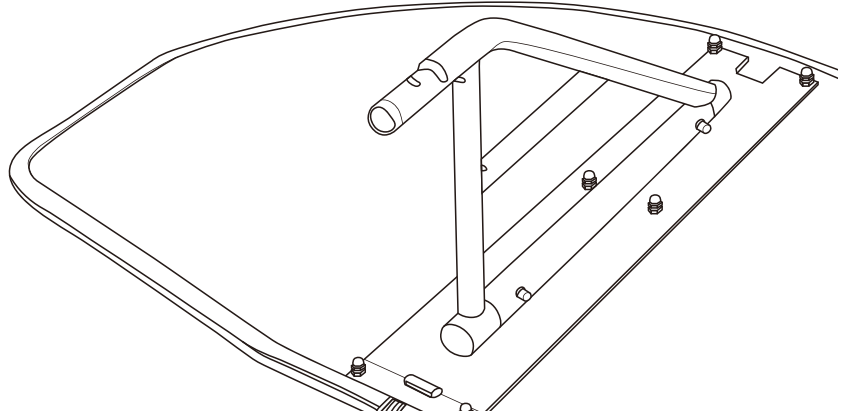
BASKETBALL HOOP | COMPONENTS

Parts	Vuly Thunder	Vuly 2	Vuly Classic
Pre-assembled Hoop and Backboard with frame	1	1	1
Basketball	1	1	1
Basketball pump with needle in handle	1	1	1
Upper support pole	-	-	1
Lower support pole with bracket	-	-	1
Long bolt elastic ties	-	-	2
Bolts	-	-	4
Spanner	-	-	1
Long foams	-	-	3
Short foams (8ft and 10ft only require 1x)	-	-	2



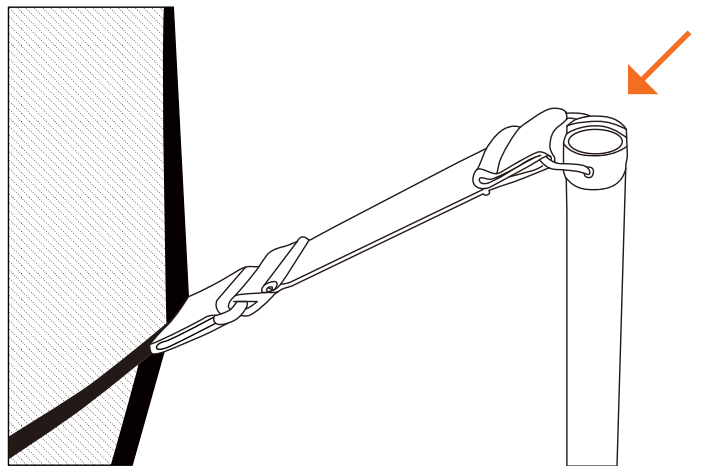
STEP | 1

Click the frame into position.



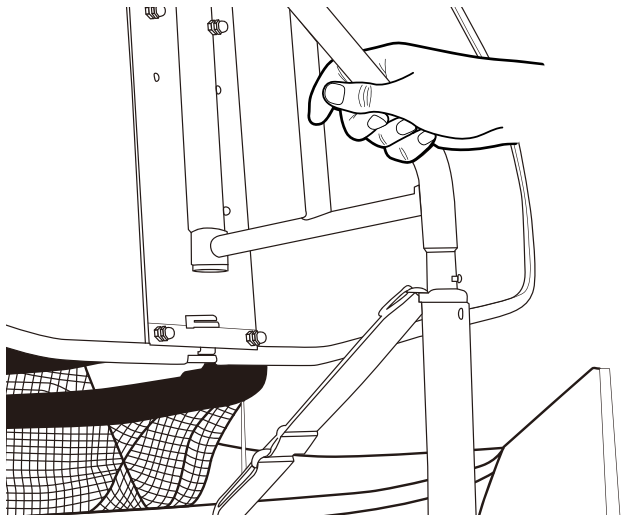
STEP | 2

Remove a net pole cap.



STEP | 3

Insert the basketball frame into the top of the net pole until the push button locks.



CONGRATULATIONS!

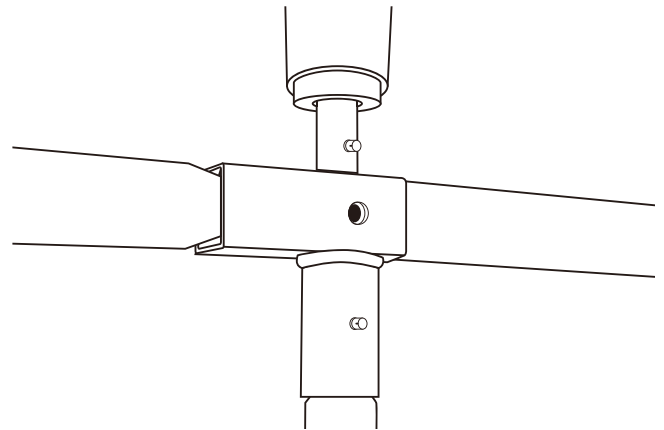
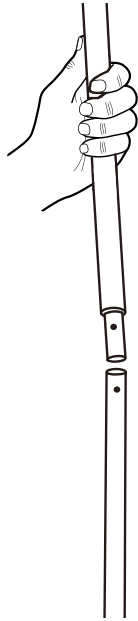
You have finished assembling your Vuly Basketball Hoop.



STEP | 1

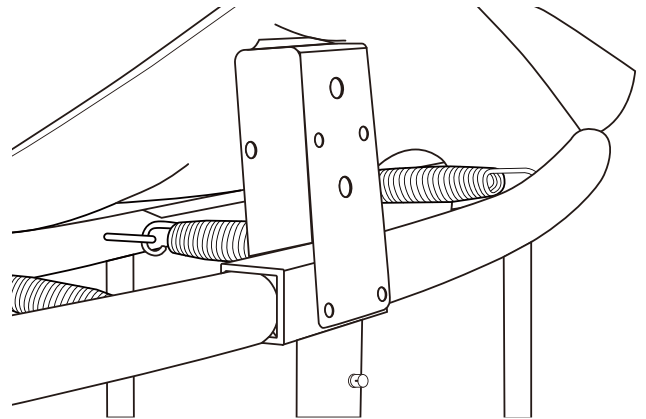
Push in the spring button on the net pole to remove the net pole from your trampoline. Take off the elastic ties, covers and foams from the net pole.

Note: If you have the original model Classic, you may need to unscrew a bolt in the net pole before you can remove it.



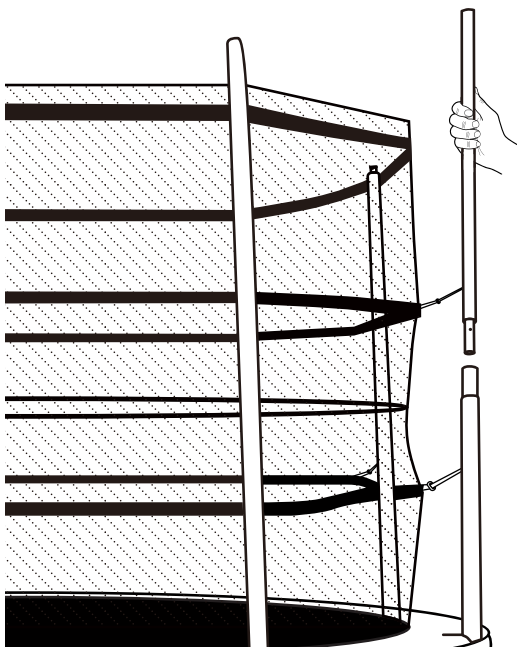
STEP | 2

Separate the upper net pole and the lower net pole.



STEP | 3

Lift up the safety pads from where you removed the safety net pole. Push the lower support pole through the safety pads hole.

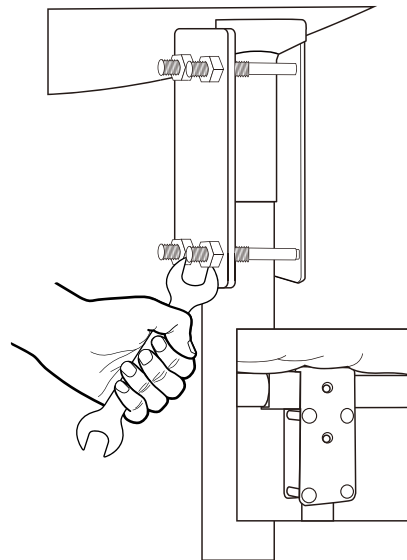
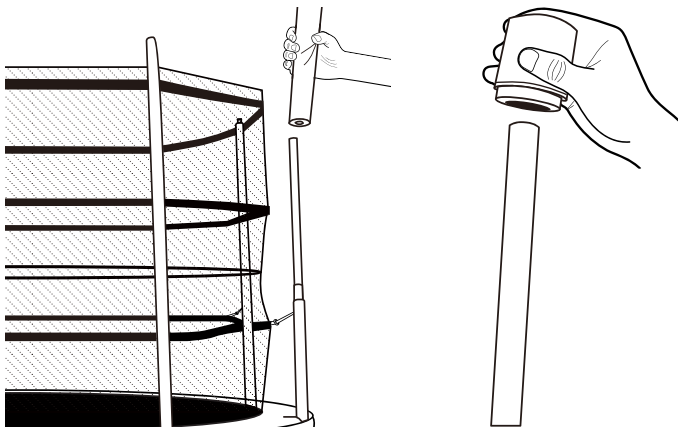


STEP | 4

Insert the lower net pole through the lower support pole, and into the T-joint.

STEP | 5

Insert each bolt, from the front side, through both plates. Fit the nuts loosely, and tighten each incrementally for an even fit.



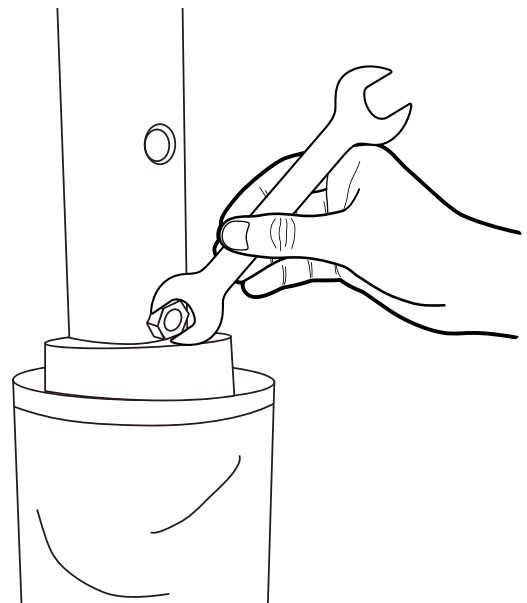
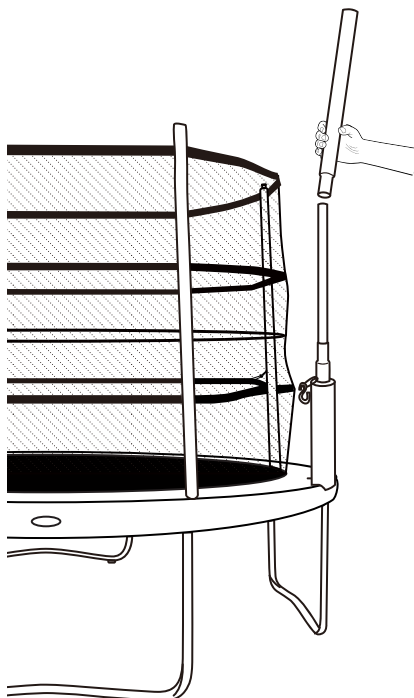
STEP | 6

Slide on a long foam piece to cover the lower support pole.

Note: For 12 and 14 ft models, also slide on a short foam piece.

STEP | 7

Insert the long bolt elastic tie in the hole above the foam, ensuring elastic loop is facing towards the net.

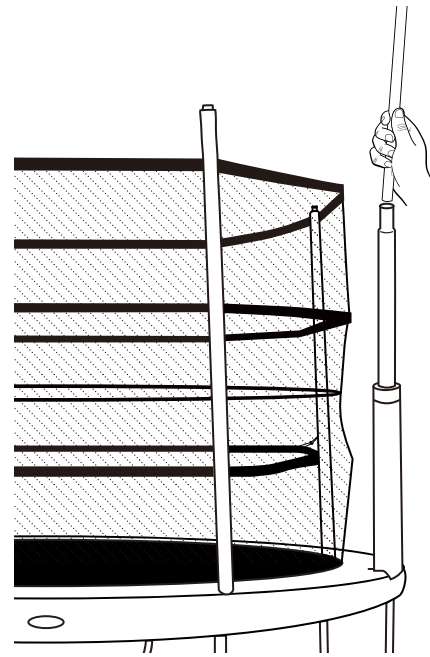
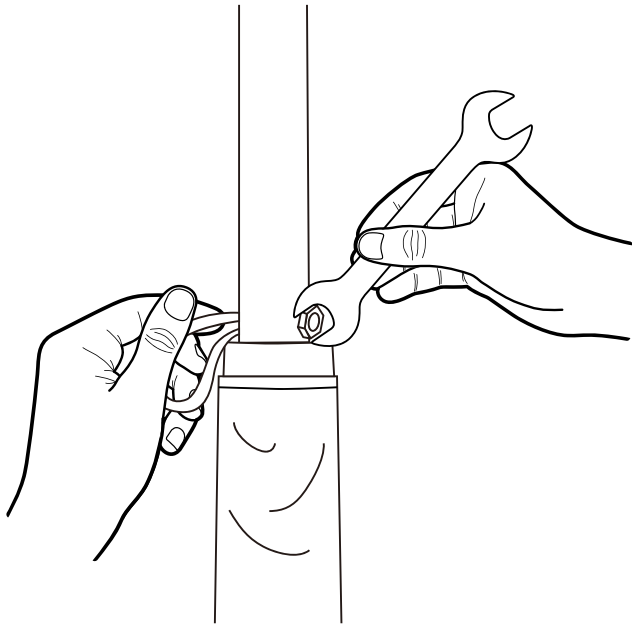


STEP | 8

Join the upper support pole to the lower support pole.

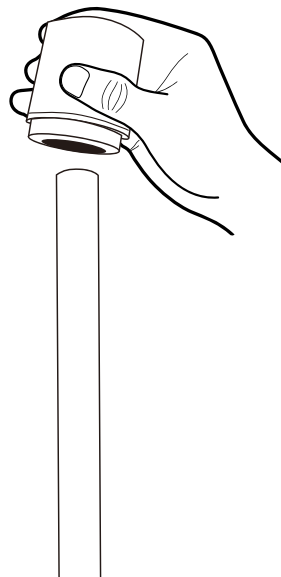
STEP | 9

Attach the upper net pole. Insert the top foam and cover from your net pole into the completed net pole.



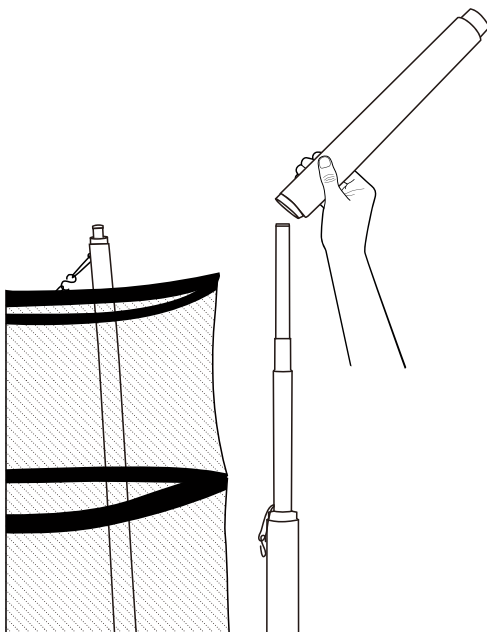
STEP | 10

Fix a long bolt elastic tie into the top hole.



STEP | 11

Slide on a short foam piece and a cover.



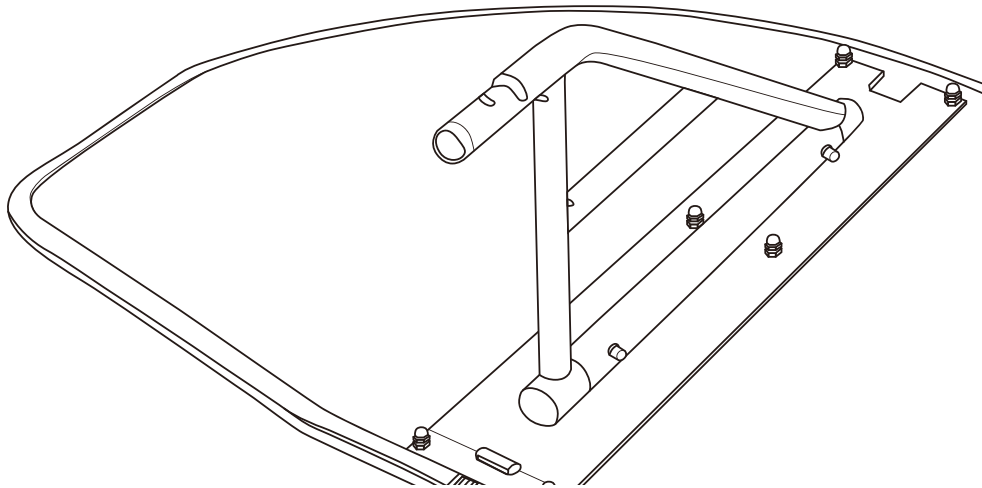
STEP | 12

Slide on a long foam piece and a cover.

STEP 13

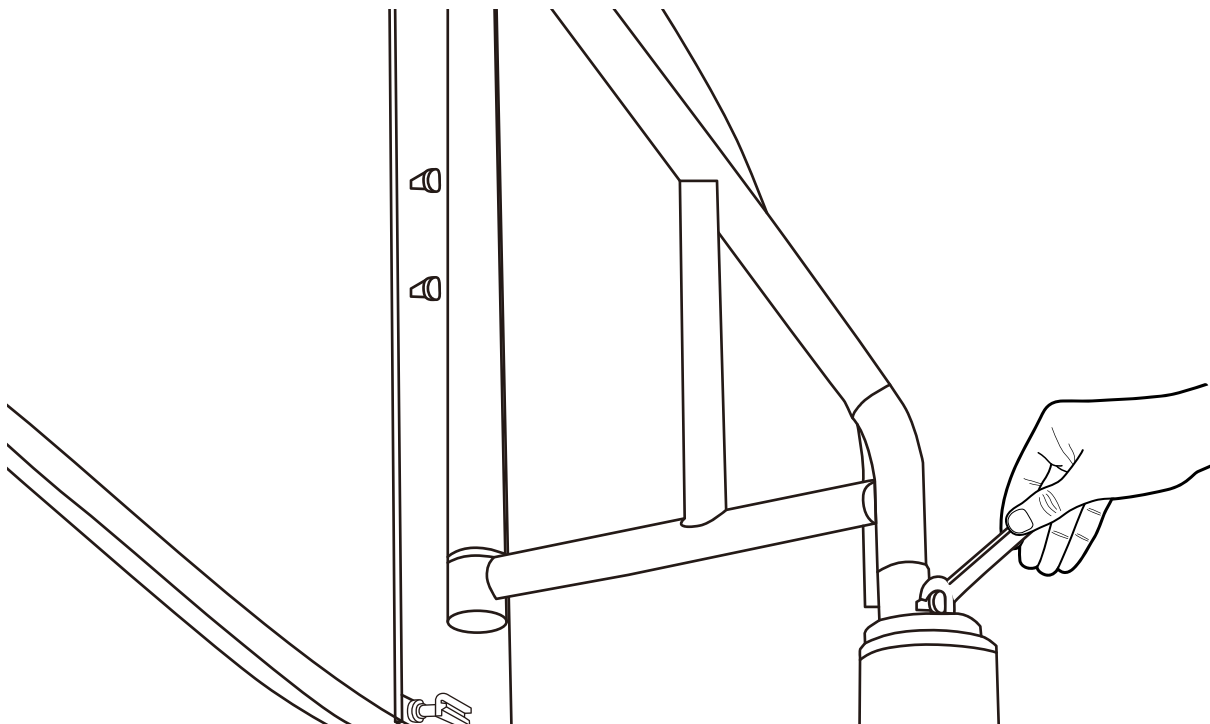
Click the frame into position.

Note: As it is not required for your model, remove the spring button from the frame.



STEP 14

- A** - Remove the net pole cap, and insert the basketball frame into the net pole.
- B** - Fix the elastic tie bolt through the net pole. Use a spanner to tighten the nut on the bolt.
- C** - Re-connect the elastic tie to the safety net.



CONGRATULATIONS!

You have finished assembling your Vuly Basketball Hoop.







vulytrampolines.com