



---

# TRAMPOLINE LADDER

---

## MANUAL



Visit [www.vulyplay.com/install](http://www.vulyplay.com/install)  
for step by step video instructions, or scan this QR code

## MAINTENANCE AND CARE

Improper use or lack of care can lead to your Ladder deteriorating earlier than expected. Please follow all of these care instructions to ensure that your Ladder lasts for as long as possible.

### WEATHER CARE



Cover or remove your Ladder when not in use.



Disassemble your Ladder and store during inclement weather.

### STORAGE

Store in a cool, dry place in the original packaging.

## IMPORTANT NOTES

### Metal Rust and Corrosion

- Be aware of areas that are particularly prone to rusting:
  - Places where water is easily trapped.
  - Hollow sections of steel (which can appear in good condition on the outside, while hiding rust on the inside).
  - Weld lines.
  - Sections where different metal components join together.
- Inspect the inside of the tubing every 6 months, and remove any water. Check tube and pole connection areas for rust.
- Use general purpose grease on steel connection areas to reduce the chance of corrosion.
- Avoid excessively cleaning steel components; it may reduce the effectiveness of our protective coatings.

## SAFE USE

Save these instructions in case you need to contact Vuly for replacement parts.

*Remember: Failure to follow these safety instructions may result in injury or property damage, and will also void your warranty.*

## WARNING

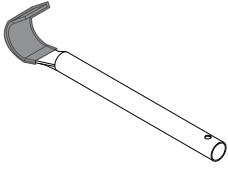
- Assemble the system in accordance with these instructions only.
- Ensure that all push buttons securely lock.
- Ensure that the system is properly and completely assembled before use. There is a much higher probability of injury if the system is not assembled or maintained correctly.

## SAFETY WARNINGS FOR USE

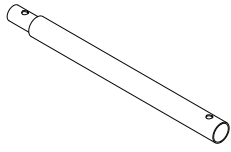
- Check and repair any loose components before each use.
- Check for any rusting before each use. Remove it, and repaint with exterior enamel. If the rusting has penetrated any steel component, replace the ladder immediately.
- Refrain from playing on damaged equipment at all times.
- Ensure only 1 user at any time.
- Exercise caution when playing with the system.
- Do not dive or jump from the ladder.
- Do not use the system in severe weather.
- Maintain proper use and supervision to reduce the risk of accident or injury.
- Remove after each use to prevent small children from accessing the trampoline unsupervised.

The owner must ensure that all players know and follow these rules to safely operate the Ladder.

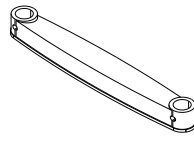
# Part List



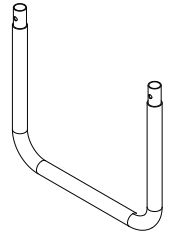
X2



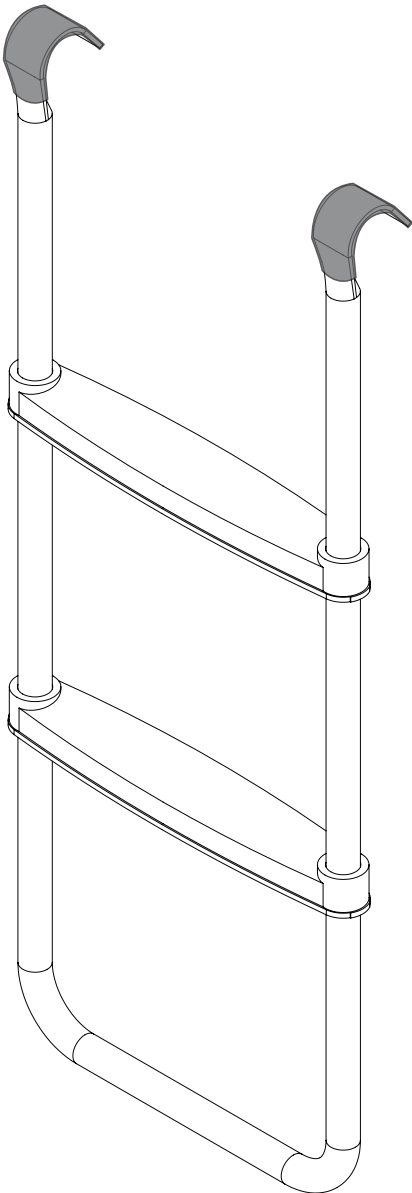
X2



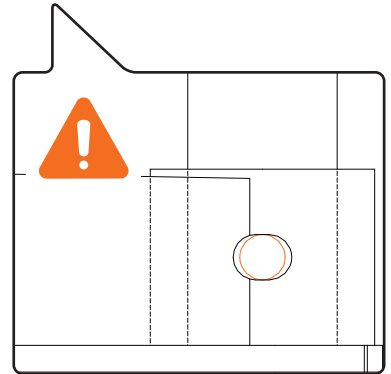
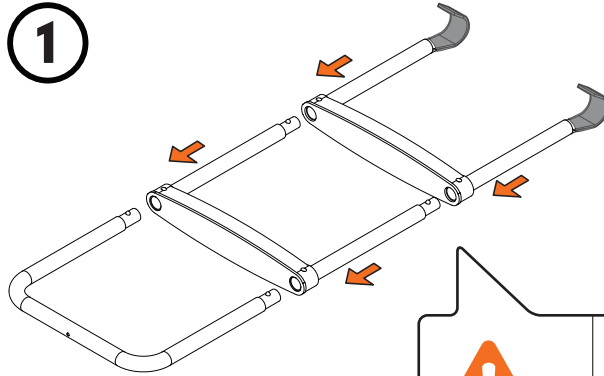
X2



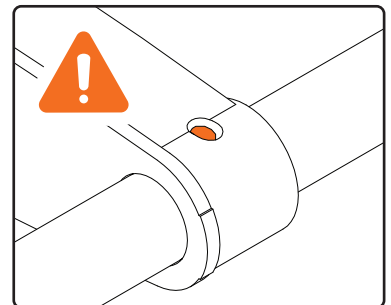
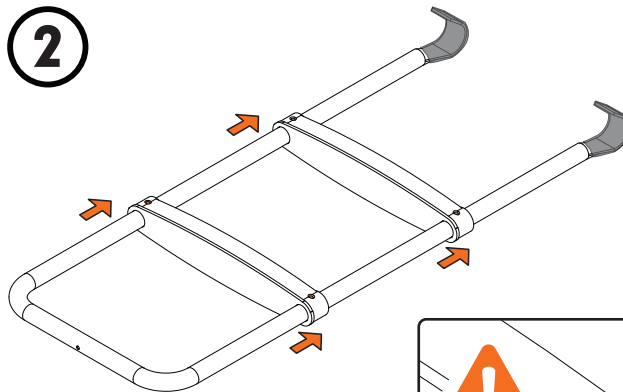
X1



1



2



# CONGRATULATIONS!

You have attached the Ladder to your Trampoline.



See [VulyPlay.com/Terms](https://www.vuly.com/terms) for the most recent Vuly warranty policies, terms and conditions.