



VULY™

360 Pro Swing Set



ASSEMBLY MANUAL

See [VulyPlay.com/support](https://www.vulyplay.com/support) for any updates to these instructions.

WARNING!

Minimum user age – 6 years. Only for domestic and outdoor use.

Maximum user weight per swing station – 80 kg (60 kg on Spin Swing).

Maximum combined user weight on entire swing set – 150 kg.

Adult assembly required. Adult supervision required at all times.

Ensure that 360 Pro is secured with anchors or bolts before use.



Contents

Read and follow all instructions in this manual before using your swing set, and do not use the swing set in any way that is not described in this manual.

Responsibility rests with the owner and supervisors of the swing set to make sure that all users are aware of the practices specified in this manual.

1.0. Care and Maintenance	4
2.0. Usage and Behaviour	4
3.0. Installation	4
3.1. Pre-assembly	4
3.2. Parts checklist	5
3.3. Assembly instructions – Vuly 360 Pro	6
4.0. Warranty	12
4.1. Warranty periods	12
4.2. Inclusions	12
4.3. Exclusions	12
4.4. Warranty Claims	13
4.5. Australian Consumer Law	13
5.0. Missing parts	13

1.0. Care and maintenance

Improper maintenance or lack of care can lead to your swing set deteriorating earlier than expected and causing injury.

Please follow these instructions to ensure that your swing set lasts for as long as possible.

- Inspect all parts at least once a month – particularly textiles and around hooks and connections.
 - Check that all nuts and bolts are firmly secure.
 - Ensure that all moving metal components remain well oiled with an appropriate lubricant.
 - Replace any parts showing evidence of deterioration, rusting or defectiveness immediately and only through Vuly.
- **Remove textile components (i.e. Yoga Swing) whenever not in use. Store in a cool, dry and dark place.**
- Cover during severe weather, such as extreme cold and heat.

2.0. Safety

Improper use of, or behaviour on, your swing set can lead to injury.

Warning:

- Users aged 6+ only, with a maximum user weight per swing station of 80 kg (60 kg on Spin Swing) and a maximum combined user weight on the entire swing set of 150 kg.
- Outdoor, private and domestic use only.
- Adult supervision required at all times.

Please follow these behaviour instructions to ensure safe play:

- Keep surrounding area clear at all times.
- Do not jump onto or from the swing set.
- Do not bring sharp objects near the swing set.
- Mind head while using the Yoga Swing.
- Use Vuly-made accessories and parts only.

3.0. Installation

Improper assembly can lead to instability and safety hazards. Follow all these instructions exactly as given:

3.1. Pre-assembly

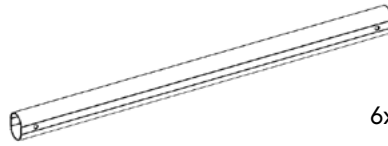
- Choose a well-lit area, with flat surface, that has clearance of 2 m on all sides from all other structures and obstacles – such as walls, fences, trees, washing lines and electric wires.
- Ensure that the chosen location allows the swing set to be firmly embedded – either with the included Anchor Kit (on soft surfaces, like grass) or a bolt kit (on hard surfaces, like concrete).
- Check that you have all parts required for assembly.
- Make sure that the product is assembled by an adult.

3.2. Parts checklist

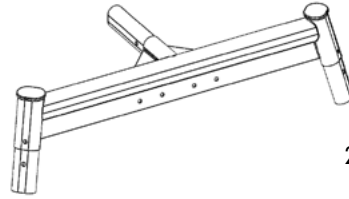
Frame



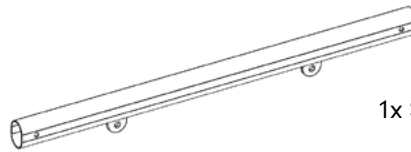
4x Frame Legs



6x Frame Tubes



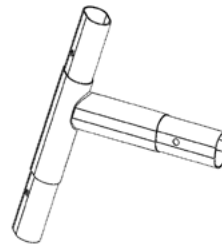
2x Top Joiners



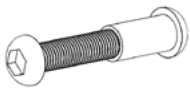
1x Swing Rail



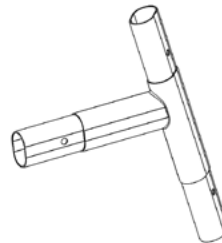
12x Anchors



2x Frame Joiners (Left)



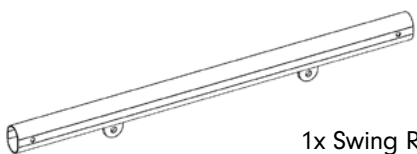
18x Frame Bolts



2x Frame Joiners (Right)

Upsize Kit (if purchased)

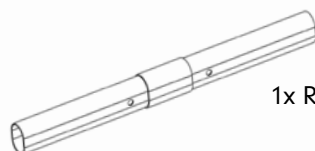
1 required for size **M**;
2 required for size **L**.



1x Swing Rail



2x Frame Bolts



1x Rail Joiner

3.3. Assembly instructions – Vuly 360 Pro Frame

STEP | 1

Remove all parts from the packaging, and lay out the components on the ground.

ENSURE THAT AS YOU FOLLOW THESE INSTRUCTIONS, YOU FIRMLY SECURE ALL PARTS WITH NUTS AND BOLTS.

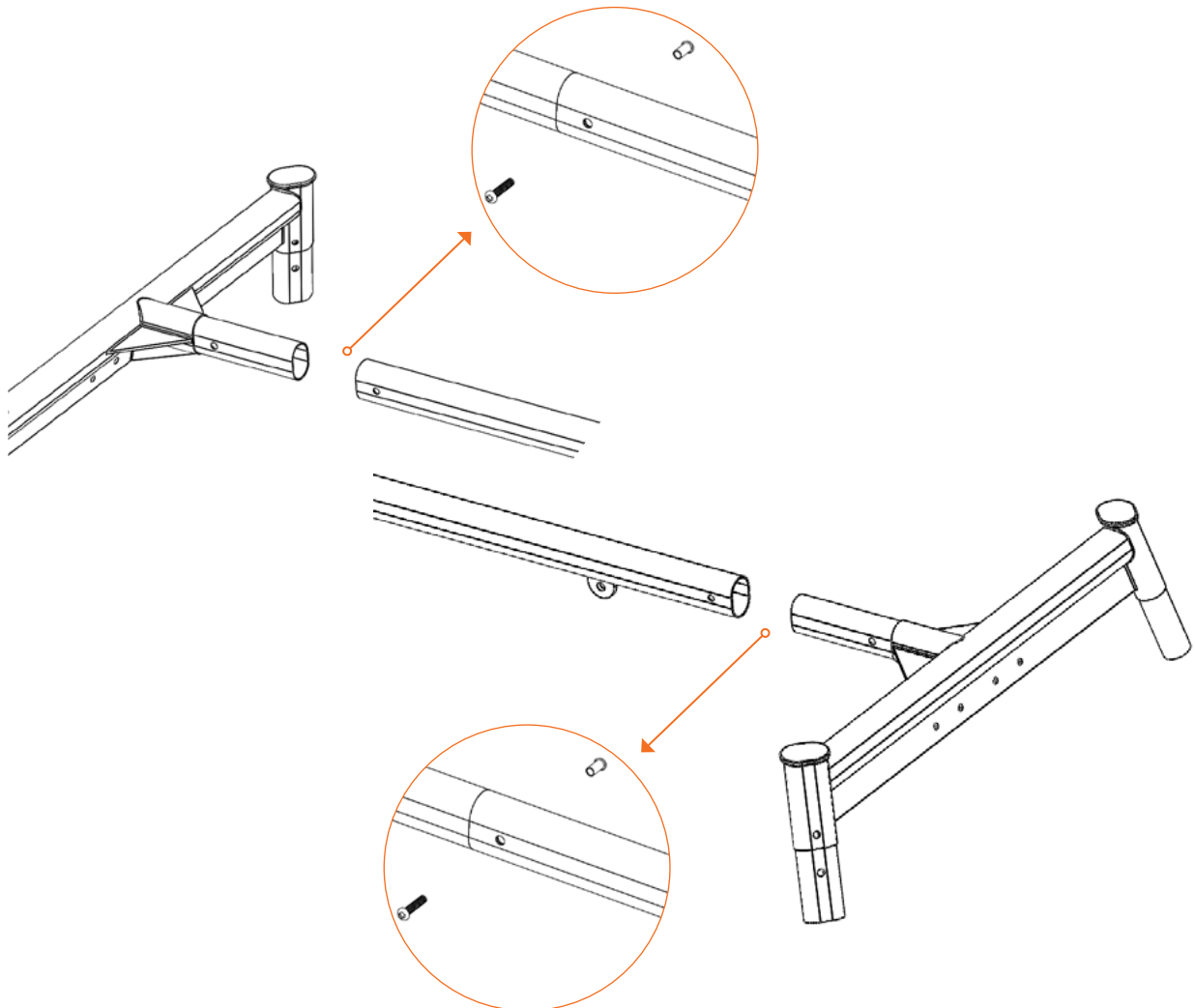
STEP | 2

Insert one end of the Swing Rail into the centre of a Top Joiner. Lock the two together with a nut and bolt.

Note: If you purchased the Spin Swing, replace this Swing Rail with the Spin Rail included with that purchase.

IF YOU ARE ASSEMBLING A SMALL SIZE SWING SET:

Insert the other end of the Swing Rail into the centre of the remaining Top Joiner. Lock the two together with a nut and bolt.



STEP | 3 UPSIZING

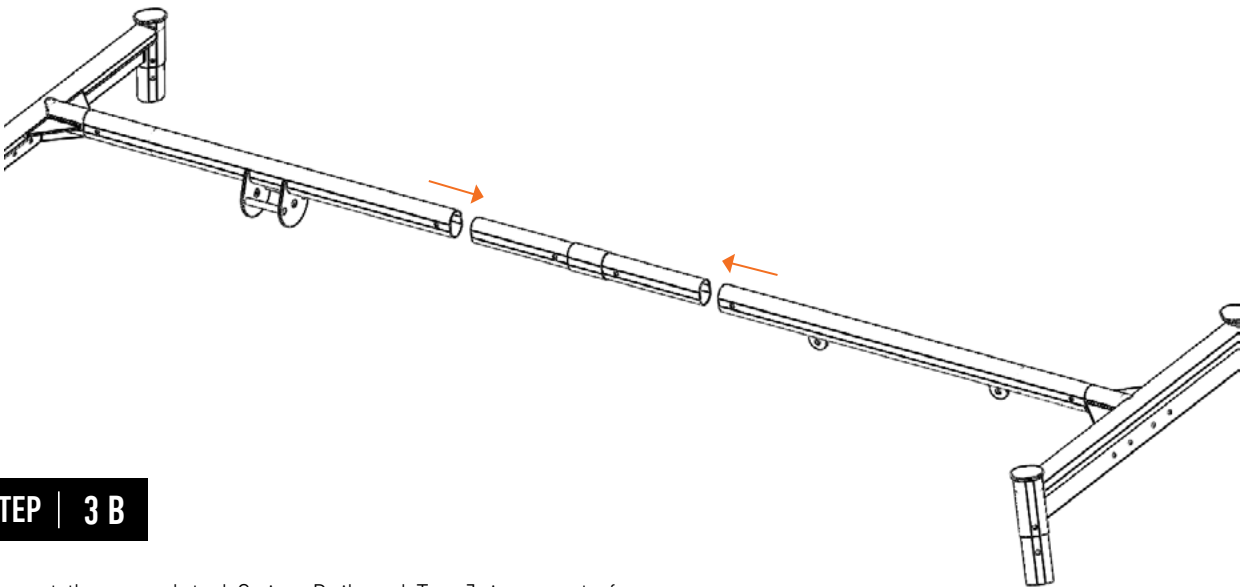
Skip this section if you are assembling a size S swing set (without any Upsize Kits).

Warning: *Never* use more than two Upsize Kits with your 360 Pro Frame. Creating a size larger than L will dramatically reduce the structural integrity of the design and may cause injury.

TO ASSEMBLE A MEDIUM SIZE – 1X UPSIZE KIT:

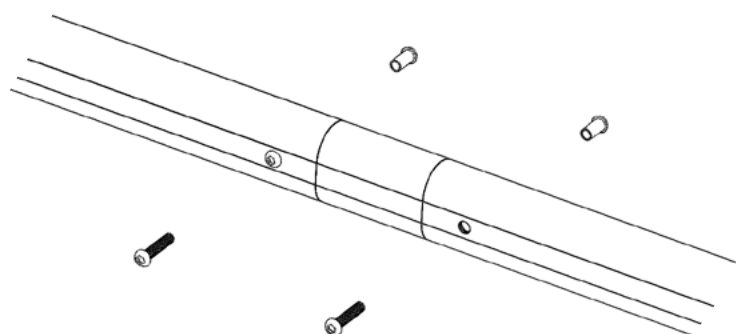
STEP | 3 A

Insert the additional Swing Rail from your Upsize Kit into the centre of the remaining Top Joiner. Lock the two together with a nut and bolt.



STEP | 3 B

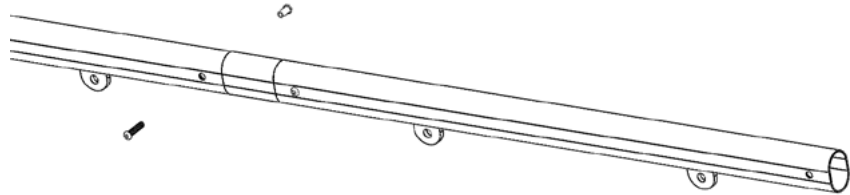
Connect the completed Swing Rail and Top Joiner parts from Step 2 and those from Step 3A to either side of the Rail Joiner from your Upsize Kit. Lock them in with nuts and bolts.



TO ASSEMBLE A LARGE SIZE – 2X UPSIZE KIT:

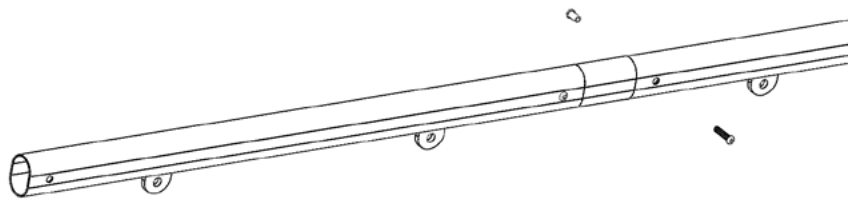
STEP | 3 A

Insert the additional Swing Rail from your Upsize Kit into the centre of the remaining Top Joiner. Lock the two together with a nut and bolt.



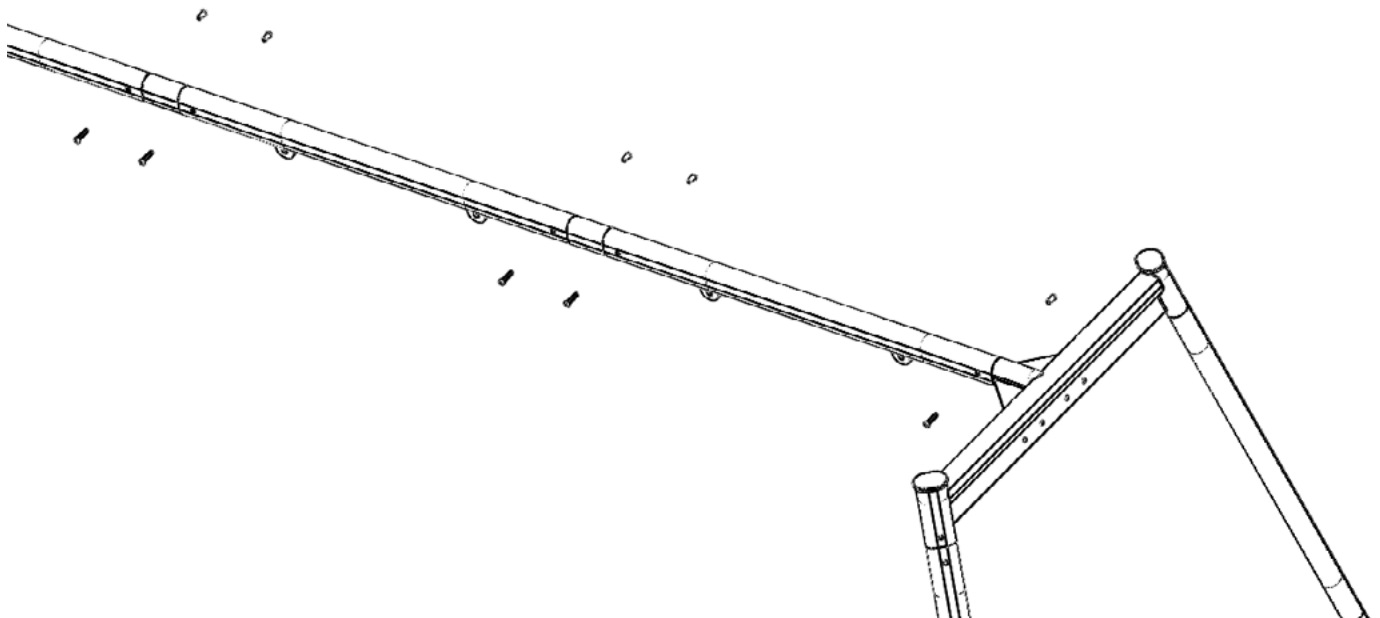
STEP | 3 B

Take the other Swing Rail from your second Upsize Kit, and insert both Rail Joiners from your Upsize Kits to either end. Lock them in with nuts and bolts.



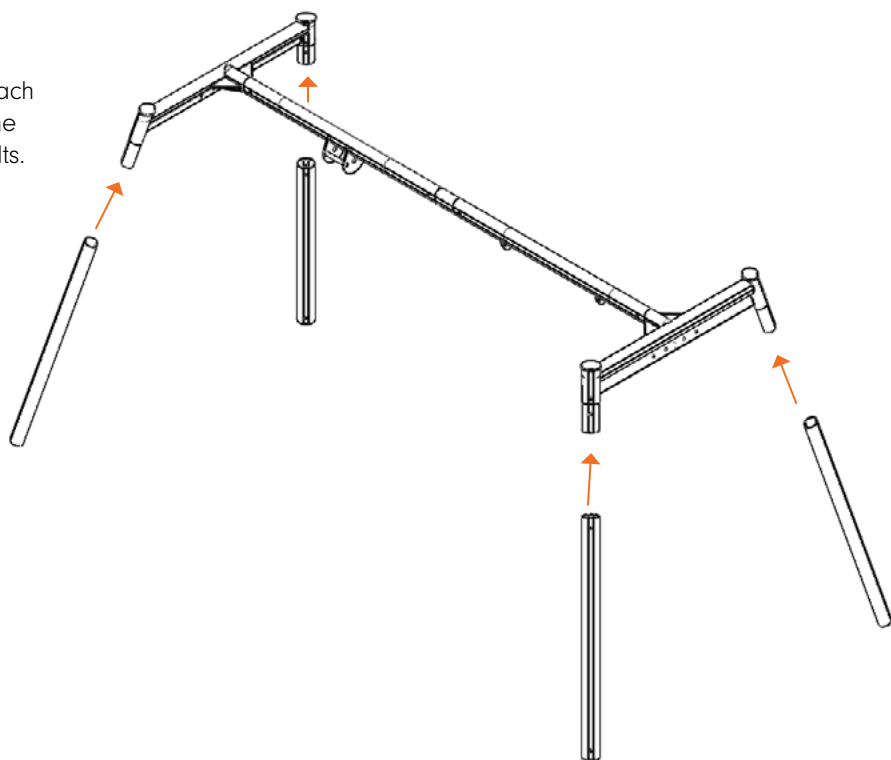
STEP | 3 C

Connect the completed Swing Rail and Top Joiner parts from Step 2 and those from Step 3A to either side of the Rail Joiners from Step 3B. Lock them in with nuts and bolts.



STEP | 4

Insert four Frame Tubes into the bottoms of each Top Joiner, as though you are 'standing up' the frame. Lock them into place with nuts and bolts.



STEP | 5 SHADE COVER

Skip this section if you do not wish to attach your Shade Cover.

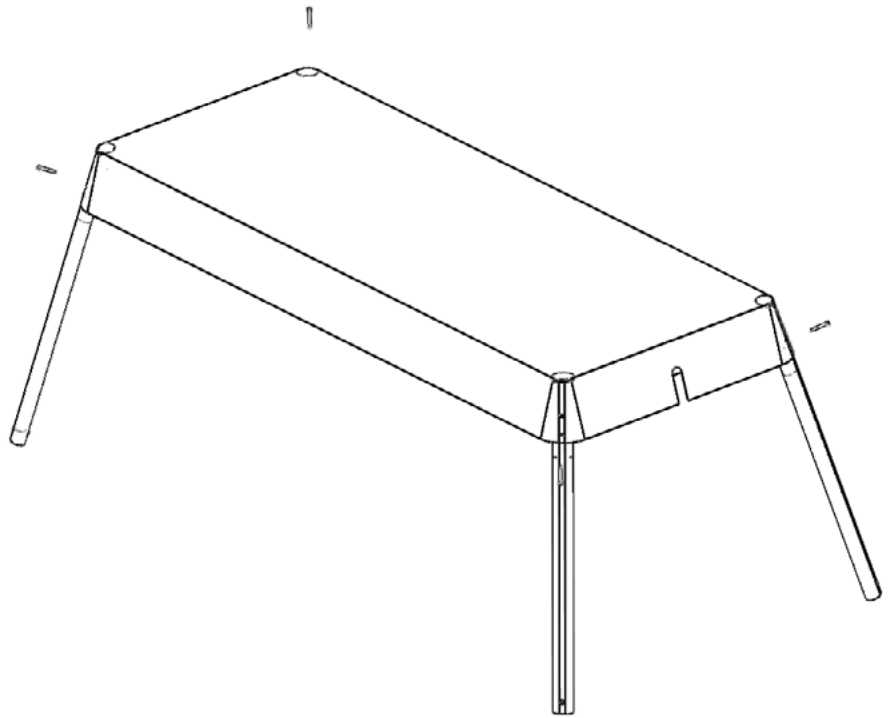
STEP | 5 A

Lay your Shade Cover out on top of your partially-assembled swing set.



STEP | 5 B

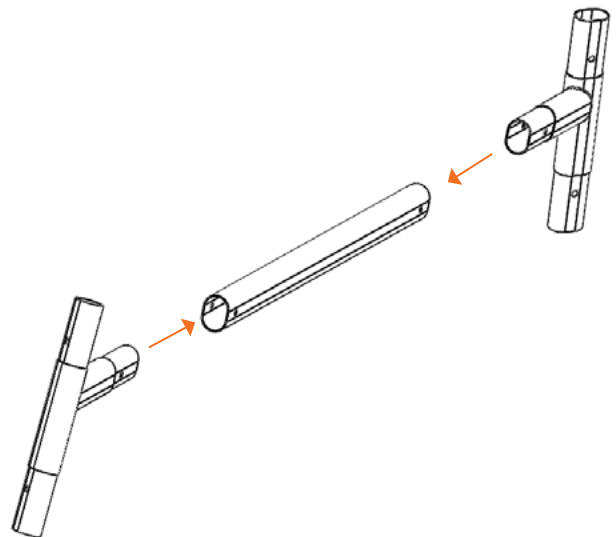
Pull two corners down over the Top Joiners, and insert the toggles. Go to the other side of the swing set and repeat for the other two corners.



STEP | 6

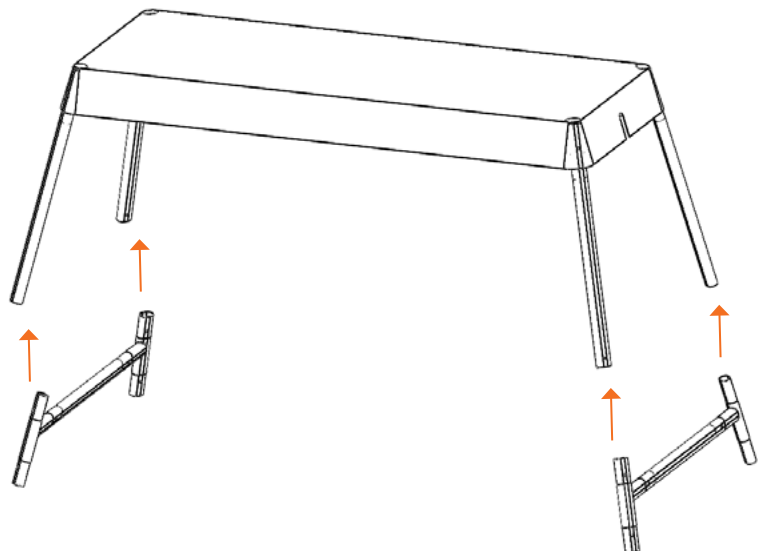
Connect two Frame Joiners onto either end of one Frame Tube, and lock them into place with nuts and bolts.

Repeat for a second Frame Tube and the remaining Frame Joiners.



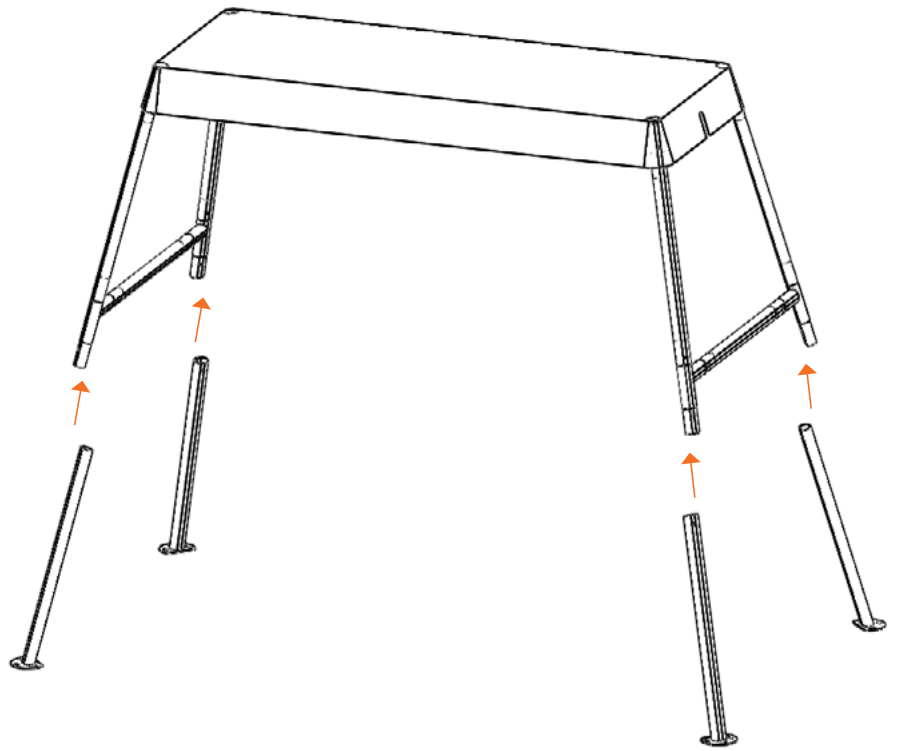
STEP | 7

Take your two Frame Tube and Frame Joiner parts from Step 6 and insert them into the Frame Tubes on both sides of the swing set from Step 4. Lock them into place with nuts and bolts.



STEP | 8

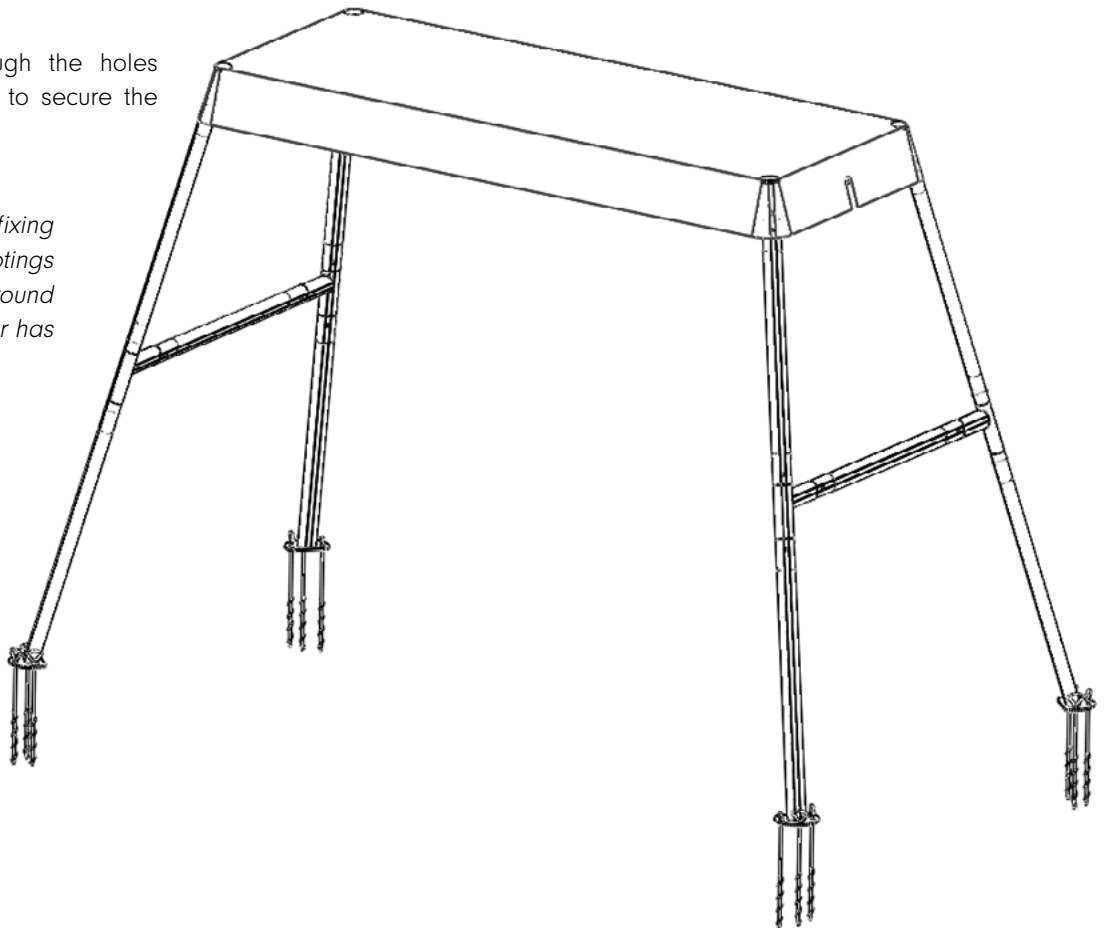
Insert the Frame Legs into the bottoms of each Frame Joiner, and lock them into place with nuts and bolts.



STEP | 9

Twist the Anchors through the holes in each Frame Leg foot to secure the swing set to the ground.

Note: Vuly recommends fixing 360 Pro to concrete footings using Dynabolts, if the ground in your backyard is soft or has low-density soil.



CONGRATULATIONS!

You have assembled your Vuly 360 Pro Frame!
See your Swing instructions to attach your chosen Swings.

4.0. Warranty

All Vuly products are sold with a manufacturing warranty, which assures that the item is free of defects in workmanship and materials (“warranty”).

Vuly offers the longest and most extensive warranties in the market on all our products. We provide comprehensive after-sales service, which we believe encourages the customer to purchase a Vuly product instead of those of our competitors.

4.1. Warranty periods

Warranty periods do not reset for any reason, unless the customer purchases a new product. In this case, that particular item will be covered by its own warranty period. It does not affect – nor will it increase – warranty periods for other purchased items.

Warranty periods always commence from the date of item delivery.

This warranty is for use under normal conditions, and it applies for:

SWING SETS

- 120 months [10 years] to the Frame components.
- 12 months [1 year] to any Swings.

ACCESSORIES

- 12 months [1 year] to purchased accessories not received during a promotional period.
- 3 months to any items received at no cost as part of a promotion – e.g. ‘Free Shade Cover’.

The customer may extend the standard 12-month [1 year] warranty to 36 months [3 years], if they purchase an extended warranty within 7 days of their delivery date.

4.2. Inclusions

This warranty covers manufacturing faults and defects only.

If a product is damaged or rendered unsafe as a result of a departure from its design specifications during production, this constitutes a manufacturing fault or defect.

This may occur if – for example – improper welding during manufacturing produces an unstable Frame.

4.3. Exclusions

4.3.1. Damage through wear and tear

This warranty does not extend to normal wear and tear of the product. This may include, but is not limited to:

- Rusting or scratching of steel components,
- UV deterioration of textile components.

As outdoor products that are actively used, swing sets and their accessories will experience wear and tear over time.

4.3.2. Damage through weather conditions

Damage to the product that results from weather events – such as rain or wind – are not covered under the warranty. Vuly suggests that you contact your home and contents insurer if your product is damaged by such events.

4.3.3. Damage through improper installation

This warranty does not extend to any failure of the product caused by installation not in accordance with the Vuly Manual. Customers must assemble their Vuly product by following carefully the Installation section of their Vuly Manual.

Furthermore, the warranty does not cover installation provided by a third-party assembly service. It is the customer’s responsibility to check all boxes and confirm that all components are included in the correct condition before installing.

4.3.4. Damage through insufficient care or maintenance

This warranty does not extend to accelerated decay of the product caused by poor care or maintenance. It is essential that customers regularly check, and follow the advice of, the Care and Maintenance sections of their Vuly Manual to ensure that their product lasts as long as possible.

4.3.5. Damage through inappropriate use

This warranty will be void if the product is used for any other activity besides those for which it was intended. Vuly products constitute recreational outdoor products and accessories for such products. They are not intended for professional use.

The warranty will also be voided if any non-Vuly components or accessories are used with the product.

Any evidence that inappropriate actions that have led to product failure will not be covered by the warranty. Similarly, replacement parts or repairs needed to mend such damage will not be covered under the warranty.

4.3.6. Personal Injury

The warranty does not cover personal injury or losses due to any of the above: wear and tear, weather conditions, inappropriate installation, insufficient care or maintenance

or inappropriate use, nor does it cover damage due to negligence or accidents.

4.4. Warranty Claims

If a customer believes that a Vuly product is faulty or defective, they must discontinue use and submit a Warranty Claim.

A customer must not attempt to use a product if any part is faulty or defective, as it may be dangerous. Any damage that the user causes as a result of using faulty or defective products will lead to voiding of the warranty.

4.4.1. Making a Warranty Claim

To fulfil a warranty claim, a customer must submit an online Warranty Claim at www.vulyplay.com/support.

Submitting the online Warranty Claim form requires the customer to provide:

- Details of their purchase – including date,
- Batch number,
- Clear photographic evidence of the manufacturing fault or defect.

If the customer does not provide all details that the form requires, their Warranty Claim will not be assessed.

Vuly may take up to 7 days to process Warranty Claims upon a completed submission. It may take a further 7 days for replacement parts to reach the customer.

4.4.2. Successful Warranty Claims

If Vuly accepts a customer's Warranty Claim, Vuly will replace the faulty or defective parts, not offer refunds.

Successful Warranty Claims lodged within 7 days of the delivery date.

Vuly will replace the damaged parts free of charge. Vuly will also cover any costs associated with shipping the replacement part.

Successful Warranty Claims lodged after 7 days of the delivery date.

Vuly will replace the damaged parts free of charge. The customer must cover any costs associated with shipping the replacement part.

4.4.3. Refunds

In all instances of successful warranty claims, Vuly offers replacements parts only. Vuly provides refunds only at their discretion.

4.4.4 Claiming on non-Vuly products

Products sold alongside Vuly that are not Vuly-branded are subject to the warranties provided by the companies that supply them. The customer must contact these external companies to make a warranty claim; Vuly itself will not assess claims made against non-Vuly products.

4.5. Australian Consumer Law

Our Goods come with guarantees that cannot be excluded under the Australian Consumer Law. You are entitled to a replacement or refund for a major failure and for compensation for any other reasonably foreseeable loss or damage.

You are also entitled to have the Goods repaired or replaced if the Goods fail to be of acceptable quality and the failure does not amount to a major failure.

5.0. Missing parts

If a customer believes that their Vuly product does not include all necessary parts or boxes, they must contact Vuly immediately on 1300 667 514.

A customer must not attempt to use a product if any part is incomplete, as it may be dangerous. Any damage that the user causes as a result of using incomplete products will lead to voiding of the warranty.

Vuly products are delivered to Vuly HQ prepackaged; we are unable to check the boxes prior to delivery to ensure that they contain all the required parts.

While the incomplete delivery and missing parts rates are low, some parts may also fall out in transit due to small, unintentional tears in their boxes and boxes may become misplaced during delivery.



vulyplay.com