



BICYCLE OWNERS MANUAL

Attention!

SAFETY INFORMATION, INSTALLATION, CARE AND MAINTENANCE INSTRUCTIONS.
READ PRIOR TO ASSEMBLING AND USING THE PRODUCT.

Vuly cares about safety. Adult supervision is required at all times whilst equipment is in use.

Visit www.vulyplay.com/install
for step by step video instructions,
or scan this QR code:



1.1 REGISTER YOUR VULY

Registering your Vuly product is the best way to make sure we can keep record of your purchase. Registration records your serial number (which is important if your Vuly product is ever lost or stolen), and serves as a means of communication with Vuly if there are any safety issues with your product. If you ever have questions about your Vuly product, we will be able to identify the product based on your registration and will be able to provide you the best possible service.

If you or the place of purchase haven't registered your Vuly product, please Visit **VulyPlay.com/support**

1.2. READ THIS MANUAL

This manual contains essential information for your safety. Even if you have ridden a bicycle previously, it is important that you read and understand the information in this manual before riding your new Vuly bicycle.

Visit **VulyPlay.com/support** for any updates to these instructions, or if you wish to find the manual online.

Parents or guardians, if this bicycle is for a child or dependant, please make sure he or she understands all relevant safety information enclosed in this manual.

1.3. HOW TO USE THIS MANUAL

This manual covers all Vuly bicycle models. It contains helpful information for your bicycle so you can have the most fun.

Read The Introduction

Read through the Introduction before you ride your bicycle.

Go Online to Learn More

We want you to have as much fun riding your bicycle as we do, so make sure to check out more resources including maintenance schedules, troubleshooting guides and how-to videos online at vulyplay.com. Head to VulyPlay.com/support for more information.

Keep This Manual for Reference

This manual shows you how to ride your bicycle safely, and how and when to do basic mechanical inspections and maintenance. We recommend you keep this for the life of your Vuly bicycle. It is also advisable to keep a copy of your proof of purchase along with this manual in case you need to lodge a warranty claim.

This manual complies with the following standards: AS/NZS 1927: 2010

2.0. Introductory

Start Here

ATTENTION!

Safety information, installation and use instructions.
Read prior to installing and using this Vuly product.

See **VulyPlay.com/support** for any updates to these instructions.

Vuly Play

95 Ingleston Rd, Brisbane QLD

4154

AU: 1300 667 514

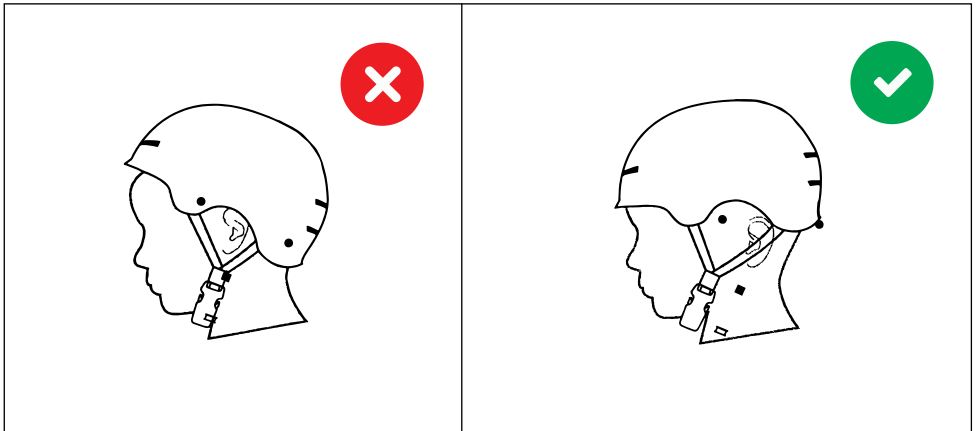
US: 1-800-467-1421

www.vulyplay.com

2.1. IMPORTANT SAFETY INFORMATION

WARNING: ALWAYS WEAR YOUR HELMET WHEN RIDING THIS PRODUCT.

- Helmet should sit level on your head and low on your forehead. Exposed forehead can result in serious injury.
- Adjust the strap sliders below the ear on both sides.
- Buckle the chin strap. Adjust strap until it is snug.
- No more than two fingers should fit between the strap and your chin.
- A proper fitting helmet should be comfortable and not rock forward/backward or side to side.



2.2. FITTING THE RIDER TO THE BICYCLE

Please follow the Vuly size guide below to determine the right size bicycle for the rider. As a rule, we recommend the following procedure to determine the correct size of bicycle:

- Straddle the assembled bicycle with feet shoulder width apart and flat on the ground.
- There must be at least 25mm (1 Inch) of clearance between the highest part of the top tube and the crotch of the rider with tires properly inflated.
- The minimum leg-length for the rider is the highest part of the top tube plus 25mm (1 Inch)

NOTE: See Assembly Sections for the Seat Adjustment Procedures.

2.3. WARNING AND SAFETY INFORMATION

Meanings of Warnings:

See the word "Caution" or "Warning" which follows it. The word "Caution" is before mechanical instructions. If you do not obey these instructions, mechanical damage or failure of a part of the bicycle can occur. The word "Warning" is before personal safety instructions. If you do not obey these instructions, injury to the rider or to others can occur.

- Choking hazard. Small parts. Not for children under 3 years.
- Adult assembly is required.
- Handlebar hand grip or tube end plugs should be replaced if damaged as bare tubes have been known to cause injury. All products with capped handlebar ends should be checked regularly to ensure that adequate protection for the ends of the handlebars are in place.
- Replacement forks must have the same rake and tube inner diameter as the original product.
- Do not add a motor to the product.
- Do not tow or push the product.
- Do not modify the product.
- Replace worn or broken parts immediately
- If anything does not operate properly, discontinue use.

2.4 NOTE ON HANDBRAKES:

In Australia/New Zealand/China:

- Left Brake Lever controls the Rear Brake
- Right Brake Lever controls the Front Brake

Most Other Countries:

- Left Brake Lever controls the Front Brake
- Right Brake Lever controls the Rear Brake

NOTE: *The brake cables for the front and rear brakes shall be positioned on the right or left brake lever according to the legislation or custom and practice of the country in which the bicycle is sold.*

2.5 THE OWNER'S RESPONSIBILITY

WARNING: This bicycle is made to be ridden by one rider at a time for general transportation and recreational purposes. It is not made to withstand the abuse of stunting and jumping.

If the bicycle was purchased unassembled, it is the owner's responsibility to follow all assembly and adjustment instructions exactly as written in this manual, and any "Special Instructions" supplied and to make sure all fasteners and components are securely tightened.

NOTE: *Periodically check that all fasteners and components are securely tightened. If the bicycle was purchased assembled, it is the owner's responsibility, before riding the bicycle for the first time, to make sure the bicycle has been assembled and adjusted exactly as written in this*

manual, and any “Special Instructions” supplied and to make sure all fasteners and components are securely tightened. For more information, see “**Before Your First Ride**” and “**Before Every Other Ride**” sections.

2.6. RULES OF THE ROAD

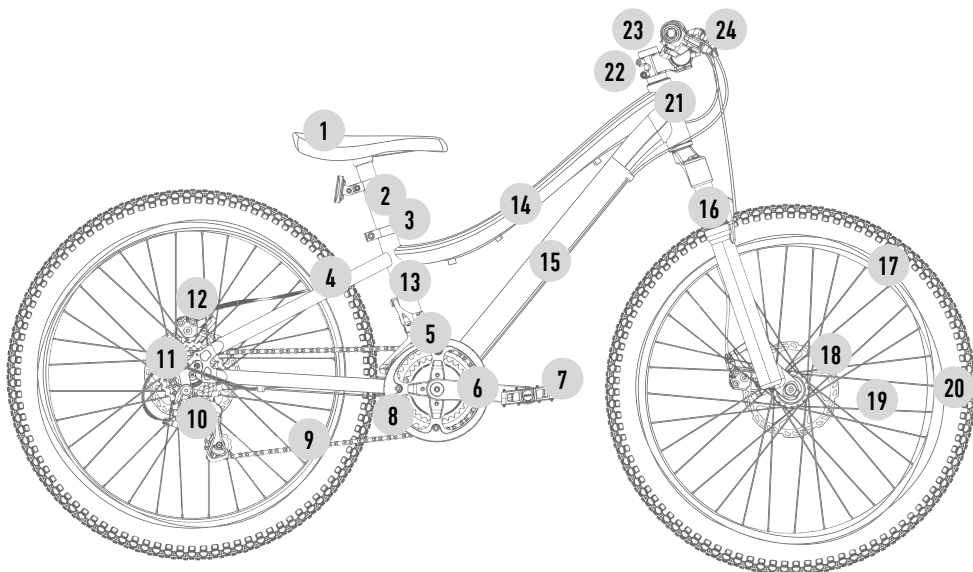
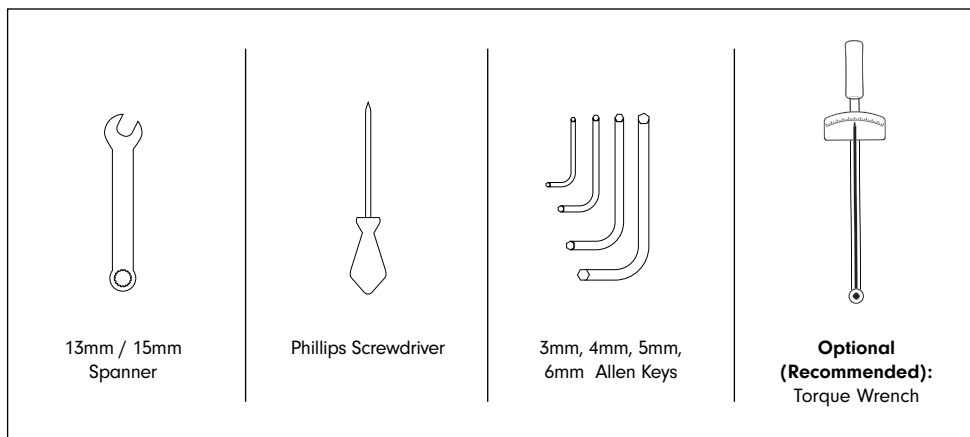
WARNING: Failure of the rider to obey the following “Rules of The Road” can result in injury to the rider and/or to others.

- It is the responsibility of parents or guardians to ensure a child is properly instructed in the use of this bicycle, particularly in the safe use of the braking systems (especially the back-pedal/coaster brake).
- Obey all traffic regulations, signs, and signals.
- Always wear a bicycle helmet that meets CPSC safety standards, as well as local safety regulations.
- Always wear shoes.
- Ride on the correct side of the road, in a single file, and in a straight line.
- Bicycles 12in (30cm) and under are not intended for use on public roads.
- Avoid riding at night, dusk, dawn and any other time of poor visibility.
- Ensure all spares, (tyres, tubes, and brake pads, etc) are the same as original equipment.
- Reflectors: For your own safety, do not ride the bicycle if the reflectors are incorrectly installed, damaged, or missing. Make sure the front and rear reflectors are vertical. Do not allow the visibility of the reflectors to be blocked by clothing or other articles. Dirty reflectors do not work well. Clean the reflectors, as necessary, with soap and a damp cloth.
- Use extra caution in wet weather: Ride slowly on damp surfaces because the tyres will slide more easily. Allow increased braking distance in wet weather.

2.7. AVOID THESE HAZARDS TO PREVENT LOSS OF CONTROL OR DAMAGE TO YOUR WHEELS

- Be aware of drain grates, soft road edges, gravel or sand, potholes or ruts, wet leaves, or uneven surfaces.
- Cross railroad tracks at a right angle to prevent loss of control.
- Avoid unsafe actions while riding.
- Do not carry passengers.
- Do not carry items or attach anything to your bicycle that could hinder your vision, hearing, or control.
- Do not ride with both hands off the handlebar.
- This bicycle is not suitable for the fitting of a luggage carrier and (or) a child seat.

2.8. TOOLS REQUIRED FOR ASSEMBLY



1. Saddle
2. Seat post
3. Seat post clamp
4. Seatstay
5. Front derailleur
6. Crank arm
7. Pedal
8. Chainrings
9. Chain

10. Rear derailleur
11. Cassette
12. Brake caliper
13. Seat tube
14. Top tube
15. Down tube
16. Front fork
17. Rim
18. Brake Disc

19. Spoke
20. Tire
21. Head tube
22. Stem
23. Head set
24. Brake lever
25. Shift lever

4.0. Before Your First Ride

4.1. RIDE THE RIGHT SIZE:

Please follow the Vuly size guide below to determine the right size bicycle for the rider. As a rule, we recommend the following procedure to determine the correct size of bicycle:

- Straddle the assembled bicycle with feet shoulder width apart and flat on the ground.
- There must be at least 25mm (1 Inch) of clearance between the highest part of the top tube and the crotch of the rider with tires properly inflated.
- The minimum leg-length for the rider is the highest part of the top tube plus 25mm (1 Inch)
- Note: See Assembly Sections for the Seat Adjustment Procedures.

4.2. STAY WITHIN THE WEIGHT LIMIT

Your bicycle has a weight limit. See the Use Conditions section for general guidelines.

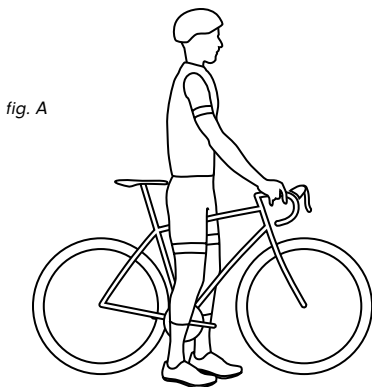


fig. A

4.3. ADJUST YOUR SADDLE TO A COMFORTABLE HEIGHT

If your leg is bent more than slightly, your seat should be adjusted up. If you can't reach the pedal, your seat should be adjusted down.

To avoid damage to the seatpost or bicycle frame, do not position the saddle beyond the minimum insertion line on the seatpost. If you can't properly position your saddle, it is advised to seek help from a professional.

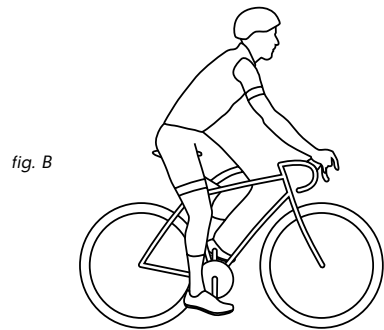


fig. B

4.4. ADJUST YOUR HANDLEBAR AND STEM TO A COMFORTABLE HEIGHT

Handlebar position is important for control and comfort. You point the handlebar and the bicycle follows. Please refer to the Assembly section for more information.

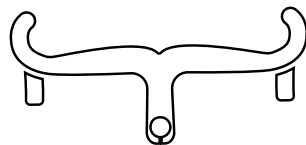


fig. A: Correct ride height

fig B: Adjusting seat height

5.0. Before Every Other Ride

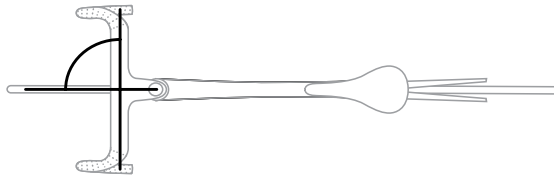
Before riding your bicycle, perform a safety check on level ground and away from traffic. If any part doesn't pass the safety check, fix it or have your bicycle serviced before going riding.

5.1. PRE RIDE CHECKLIST:

○ Check the handlebar

- Make sure it is at 90 degrees to the wheel
- Check that the handlebar is tightened sufficiently so that it will not twist out of alignment and does not rotate in the stem
- Make sure that no cables are pulled or caught when you turn the handlebar from side to side

fig. D



○ Check the saddle and seatpost

- Make sure the saddle is in line with the centre of the bicycle
- Check that the saddle rails or collar is tightened sufficiently so that it will not twist out of alignment, or move or tilt up or down.

○ Check the wheels

- Check rims and spokes for damage. Give the wheel a spin. It should spin straight through the fork (front) and chainstays (rear), and not contact the brake pads (rim brakes).
- Check that the axles are fully seated in the dropouts.
- Lift your bicycle and hit the top of the tyre with a solid blow. The wheel should not come off, be loose, or move from side to side.
- If your wheel is equipped with a quick-release, make sure the lever is properly closed and positioned (in-line with the chainstay or fork) and does not interfere with the spokes or disc brake system.

○ Check the tyres

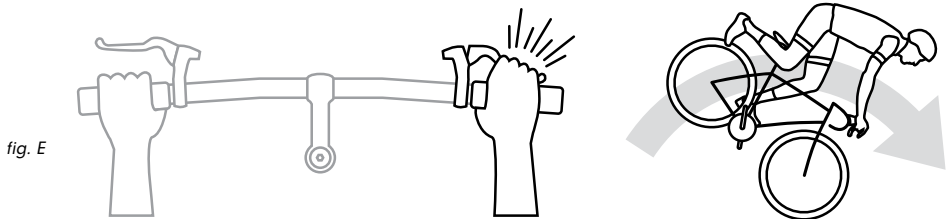
- Use a tyre pump with a gauge to properly inflate your tyres to the recommended pressure range. Do not exceed the pressure limit as stated on the side of the tire or rim; whichever is lowest.

fig. D: Proper alignment of handlebar and saddle.

NOTE: It is better to use a hand or foot pump than a service station pump or electric compressor. The latter are more likely to allow for over inflation, which can cause the tyre to deform.

○ Check the brakes

- While standing still, make sure you can apply full braking force without the brake lever touching the handlebar. (If the lever touches, your brakes may require adjustment.)
- Check that the front wheel brake is working properly. Ride the bicycle at slow speed and apply the front wheel brake. The bicycle should come to an immediate stop.

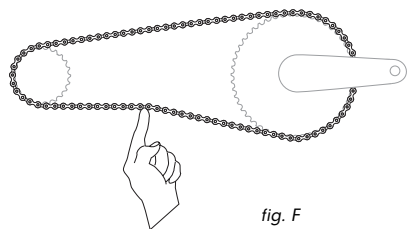


NOTE: It is recommended brakes are applied simultaneously with equal force for a safe and controlled stop. Excessive force applied to the front brake is known to lift the rear wheel off the ground. This could decrease your control and cause you to fall.

- For rim or disc brakes, repeat the process with the rear wheel brake.
- For coaster brakes, start with the back pedal crank slightly higher than horizontal. Apply pressure downwards on the back pedal. When you move the pedal downward, the brake should engage.

○ Check the chain

- Make sure your chain or belt has the correct tension so that it can't fall off. If you're unsure about the correct tension, refer to the assembly guide in this document.
- Check that the chain has no kinks, rict, broken pins, plates or rollers.



○ Check the cables

- Make sure all cables and housings are properly secured to the frame or fork so that they cannot interfere with or get caught on moving parts.

fig E: Apply both brakes together. Using the front brake only could cause the bicycle to pitch forward.

○ **Check reflectors, lights, and accessories**

- Check that reflectors are clean and position perpendicular to the rim.
- Make sure your front and rear lights and any other accessories are securely attached, properly positioned, and working properly.
- Position your lights parallel to the ground. Make sure our batteries are charged.

○ **Check your suspension (if applicable)**

- Adjust your suspension for your use, and make sure that no suspension component can “bottom out: or be fully compressed. Suspension adjustment instructions are available in the Support section of vulyplay.com.

○ **Check your pedals**

- Make sure your pedals and shoes are clean and free of debris that could affect your grip or interfere with the pedal system.
- Hold crank to restrict movement and attempt to move the pedal body to see if there is any looseness. Also spin pedals to make sure they spin freely.

6.0. Use Conditions & Weight Limits

Weight Limit = Rider + Bicycle + Gear

Condition	Weight Limit	
12" (30cm) Bicycle	36 kg	79 lbs
16" (40cm) Bicycle	36 kg	79 lbs
20" (50cm) Bicycle	77 kg	170 lbs
24" (60cm) Bicycle	77 kg	170 lbs

7.0. Basic Riding Technique

Learn these tips and techniques to get the most out of your riding experience.

7.1. TURNING AND HANDLING

Be careful of “toe overlap”. When you turn the handlebar at low speeds, your foot could overlap or touch the front wheel or fender. Do not pedal when you ride slowly with the handlebar turned.

Wet, debris-strewn, or uneven surfaces will affect the handling of your bicycle. Paint (pedestrian crossings, lane lines) and metal surfaces (drain grates, manhole covers) can be especially slippery when wet. Try to avoid sudden changes in direction on less than ideal surfaces.

7.2. STOPPING

Always ride with a safe distance between you and other vehicles or objects to give yourself adequate stopping room. Adjust distances and brake forces to suit riding conditions and speeds.

For safest braking, use your brakes smoothly and evenly. Look ahead and adjust your speed in advance to avoid hard braking.

Different bicycles have different brake systems and different levels of brake power depending on their use condition. Familiarize yourself with your bicycle's braking power and don't ride beyond it.

Wet, debris-strewn, or uneven surfaces will affect how your bicycle reacts to braking. Take extra care when braking under less than ideal road conditions. Keep it smooth, and allow more time and distance for stopping.

7.3. COASTER BRAKES

Parents or guardians: explain this to your child or dependent.

If your bicycle has a coaster brake (a brake activated by the pedals), apply the brake by pedalling backwards.

For greatest braking force, the crank arms should be horizontal when you apply the brake. The crank will rotate slightly before the brake is engaged, so be sure to start to apply the brake with the rear pedal slightly higher than horizontal.

Hand Brakes

Before riding, make sure you know which brake lever controls which brake (front or rear).

If you have two hand brakes, apply both brakes at the same time with equal force. The front brake provides more stopping power than the rear, so do not use it too forcefully or too abruptly. If you must stop quickly, shift your weight brake as you apply the brakes to keep the rear wheel on the ground.

7.4. SHIFTING GEARS

The gears on your bicycle allow you to pedal comfortably in different conditions - like riding uphill, pedalling against a headwind, or riding fast along flat terrain. Select the gear that is most comfortable for the conditions; a gear that lets you pedal at a constant rate.

To shift gears, you must change the position of a shifter lever (also called a shifter) which is most commonly mounted on the handlebars. On most bicycles the left shifter controls the front derailleur and the right shifter controls the rear derailleur.

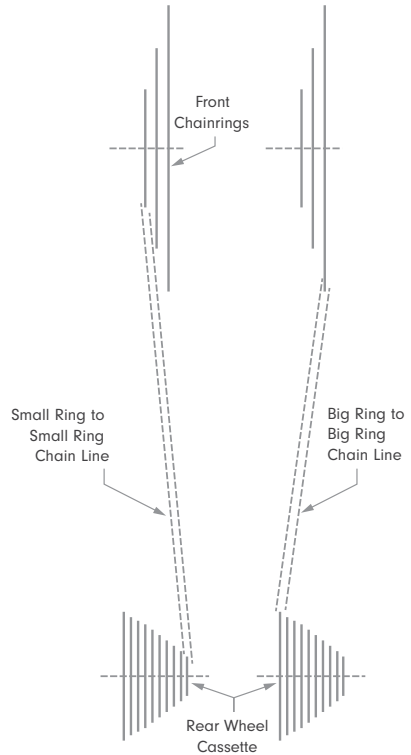
Shift gears only when the pedals and chain are moving forward. Decrease the force on the pedals as you shift gears. Reduced chain tension helps the chain shift gears quickly and smoothly, which decreases chain, derailleur, and gear wear.

Use only one shifter at a time.

Do not shift gears when you ride over bumps to prevent dropping or jamming the chain or missing a gear.

Do not ride with the chain in the “cross-over” position. Cross-over is when you shift the derailleur so the chain crosses from the biggest front sprocket to the biggest rear sprocket (also the smallest sprocket to smallest sprocket).

In this position, the chain is placed at an extreme angle causing the chain and gears to run roughly, and the parts to wear at a faster than normal rate.



8.0. Assembly

For Vuly Classic Models

8.1 INTRODUCTION TO ASSEMBLY

NOTE: This owner's manual is made for several different bicycles.

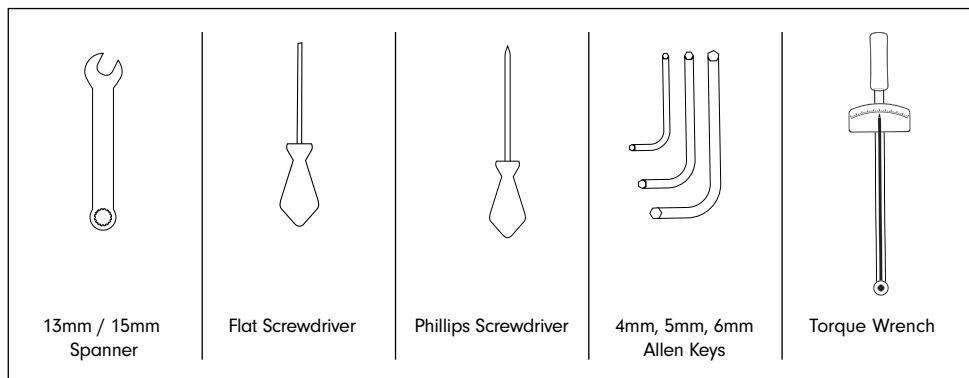
- Some of the illustrations may vary slightly from the actual product.
- Follow instructions completely.
- If the bicycle has any parts that are not described in this manual, look for separate “Special Instructions” that are supplied with the bicycle.
- Models may have different accessory items such as bags, baskets, reflectors, cup holders, racks, etc.
- All features, components and accessories are not included on all models.
- Use the Index page to locate specific sections of this manual.
- Please read through this entire manual before beginning assembly or maintenance.
- If you are not confident with assembling this unit, engage a trained professional to assist with assembly.

WARNING: Keep small parts away from children during assembly.

Do not dispose of the carton and packaging until you complete the assembly of the bicycle. This can prevent accidental disposal of parts of the bicycle.

NOTE: All of the directions (right, left, front, rear, etc.) in this manual are as seen by the rider while seated on the bicycle.

8.2 TOOLS RECOMMENDED



8.3 INSTALLING THE FRONT WHEEL

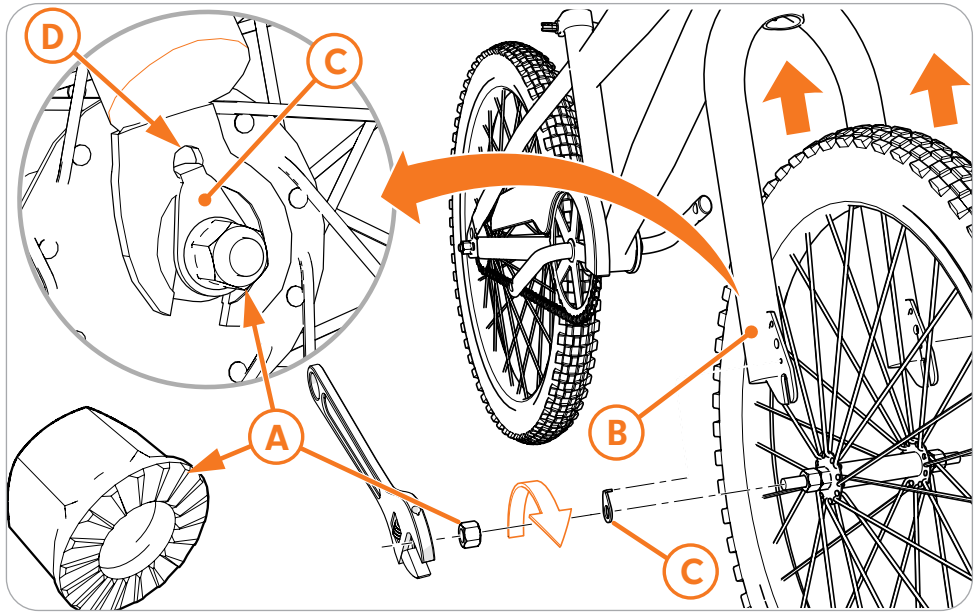
WARNING:

- Do NOT use axle nuts without serrations to attach the front wheel.
- Ensure the wheel spins freely without contacting brake pads or other parts of the bicycle.
- Failure to obey these steps can allow the front wheel to loosen while riding. This can cause injury to the rider or others.

NOTE: See Brake Section to loosen and re-attach front brakes (if applicable).

For Bolt-On Systems:

1. If axle nuts **(a)** and washers **(c)** are already attached to the front axle, remove and set aside.
2. Set the wheel into the front fork **(b)**.
3. Install wheel retainers **(c)** making sure the tabs are in the fork tab holes **(d)**.
4. Install the axle nuts **(a)** with the serrated surface facing IN.
5. With the wheel in the centre of the fork, tighten both axle nuts securely **(a)**.



For Quick Release Equipped Systems:

1. Standing at the front of the bicycle, place the front wheel between your knees with the disc brake on the right hand side.
2. Lift the front of the bicycle onto the front wheel (take care in making sure the rotor aligns well with the brake caliper) and push down making sure the axle fits all the way into the dropouts of the fork.
3. Tighten the quick release making sure that it is properly positioned within the dropouts and closed. If the quick release is not closed correctly (in-line with the fork leg), the lever can catch in the disc brake rotor.

8.4. INSTALLING THE REAR WHEEL

NOTE: If you have disc brakes, be careful not to press the brake lever while the wheel is off the bicycle. This may close the brake pads making it difficult for the rotor to go back inside the pads..

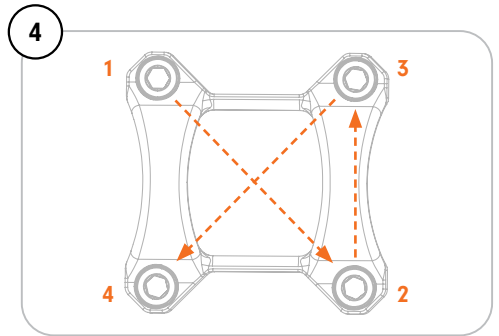
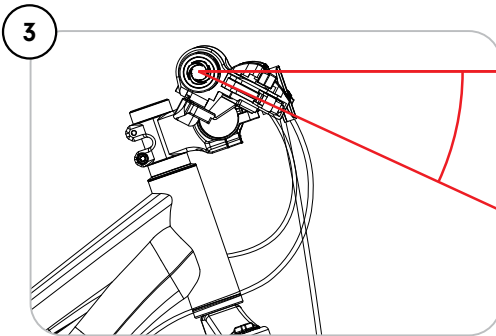
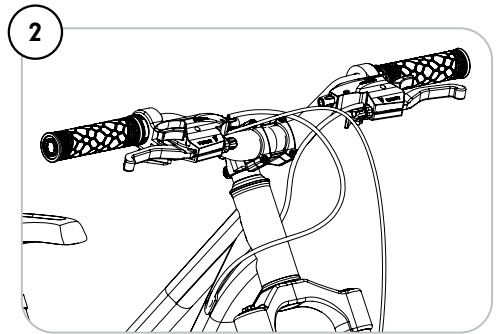
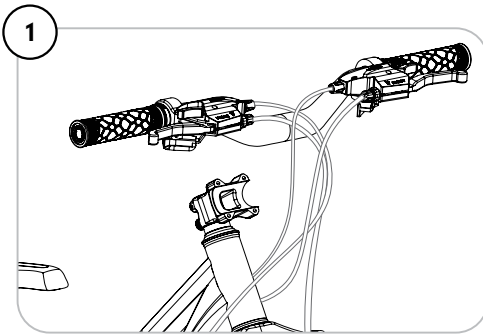
1. Standing at the rear of the bicycle, with the wheel between your knees, grab the rear derailleur with your right hand and pull back and push down making sure the top of the chain drops over the first (or smallest) gear on the cassette. Make sure the wheel axle fits all the way into the frame of the bicycle.
2. Tighten the quick release making sure that it is properly positioned within the dropouts and closed. If the quick release is not closed correctly (in-line with the chainstay), the lever can catch in the disc brake rotor.

8.5. INSTALLING THE HANDLEBARS

WARNING: To prevent steering system damage and possible loss of control, ensure that instructions are followed accurately and a pre-ride check is carried out before every ride. **Vuly bicycles come equipped with a Face Plate Stem. Follow the instructions accordingly.**

NOTE: Depending on your bicycle's design, this may differ a little.

1. Make sure the cables are running freely and are not twisted. NOTE that they can be twisted if the fork is turned around in the incorrect direction.
2. Remove the faceplate from the stem and insert the handlebar. Place the face plate over the handlebar and start threading the bolts back into the stem body. Use an Allen key to tighten.
3. Before you fully tighten, use the knurled area (the rough area) to help centre and align your handlebar. The brake levers should be aligned at 30 degrees.
4. As you are tightening the bolts, the gap between the stem body and face plate needs to be equal all the way around. Tighten in a criss cross pattern to achieve equal tension.



8.6. TESTING HANDLEBAR AND STEM TIGHTNESS

To test the tightness of the stem:

- Straddle the front wheel between your legs.
- Try to turn the front wheel by turning the handlebar
- If the handlebar and stem turn without turning the front wheel, realign the stem with the wheel and tighten the stem bolts tighter than before.
- Do this test again, until the handlebar and stem do not turn without turning the front wheel.

To test the tightness of the handlebar clamp:

- Hold the bicycle stationary and try to move the ends of the handlebar up and down or forward and back.
- If the handlebar moves, loosen the bolts of the handlebar clamp.
- Put the handlebar in the correct position and tighten the bolts of the clamp tighter than before.
- Do this test again, until the handlebar does not move in the handlebar clamp.

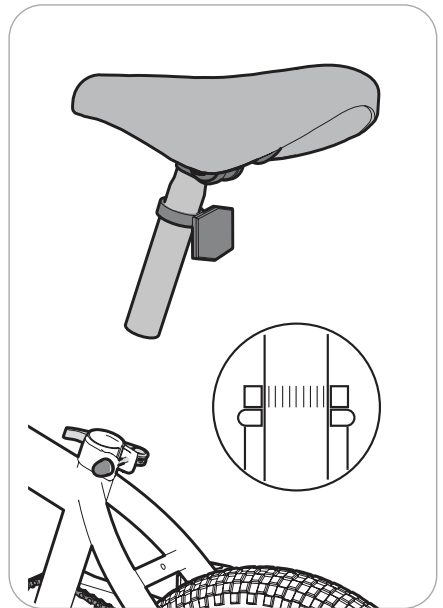
See Torque Chart for Recommended Fastener Torque.

8.7. INSTALLING THE SEATPOST

WARNING: To prevent the seat coming loose and possible loss of control, the “Minimum Insertion” mark on the seatpost must be below the top of the seat tube.

Seat and Seatpost Setup:

- Loosen bolt on Seatpost Collar so the Seat Post can move freely.
- Ensure that the “Minimum Insertion” mark on the Seatpost is below the top of the seat tube.
- Rotate the seat so it is aligned with the frame.
- Adjust the height of the seat to the desired riding position. See “Adjust Your Saddle to a Comfortable Height” for more information.
- Tighten Seatpost Collar bolt securely so it supports the rider without moving.



Testing Seatpost Collar and Seatpost Clamp Tightness

WARNING: Every time the seat post is loosened or adjusted, make sure the red reflector is correctly positioned.

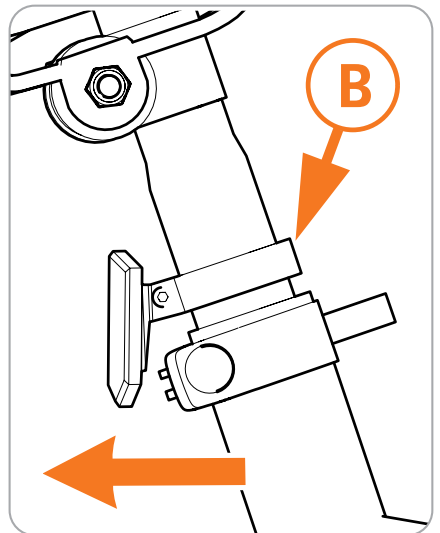
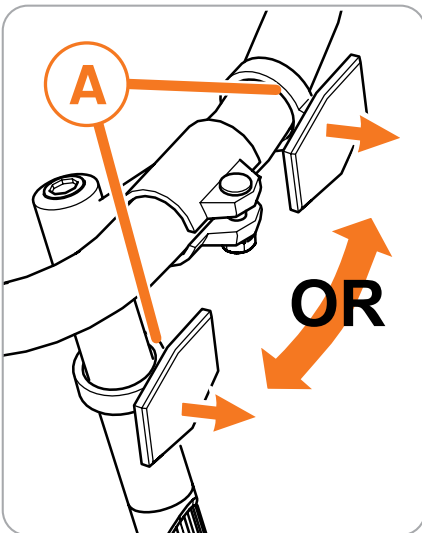
- Try to turn the seat side-to-side and to move the front of the seat up and down.
- **If the seat moves in the Seatpost Clamp:**
 - Loosen the Seat Clamp.
 - Put the seat in the correct position and tighten the Seat Clamp tighter than before.
 - Do this test again, until the seat does not move in the Seat Clamp.
- **If the Seatpost moves in the Seat Tube:**
 - Loosen the Seatpost Collar bolt.
 - Put the Seatpost in the correct riding position and tighten the Seatpost Collar bolt tighter than before.
 - Do this test again, until the Seatpost does not move in the Seat Tube.

8.8. INSTALLING THE REFLECTORS

NOTE: Reflector Installation is best completed on flat even ground.

- Position FRONT reflector (White) so it points straight forward and is perpendicular to the ground.
- Tighten Clamp Screw.
- Position REAR reflector (Red) so it points straight backwards and is perpendicular to the ground.
- Tighten Clamp Screw.

NOTE: Do not over-tighten. This will damage the Clamp.



8.9. INSTALLING THE PEDALS

CAUTION: There is a RIGHT pedal marked R and a LEFT pedal marked L.

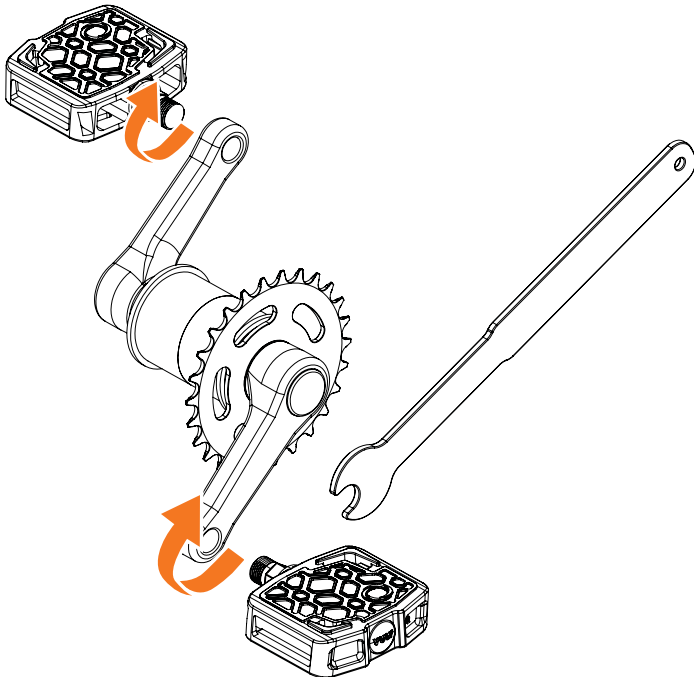
NOTE: A Pedal wrench is preferred for attaching pedals. A pedal wrench is supplied with this bicycle.

- The pedal marked R has right-hand threads. Tighten it in a clockwise direction.
- The pedal marked L has left-hand threads. Tighten it in a counter-clockwise direction.
- Turn the right side pedal marked R into the right side of the crank arm, and the left pedal marked L into the left side of the crank arm.

Tighten the pedals

Make sure the threads of each pedal are fully into the crank arm.

WARNING: Ensure the pedals are secure in the crank arms so they will not loosen. Periodically check tightness.



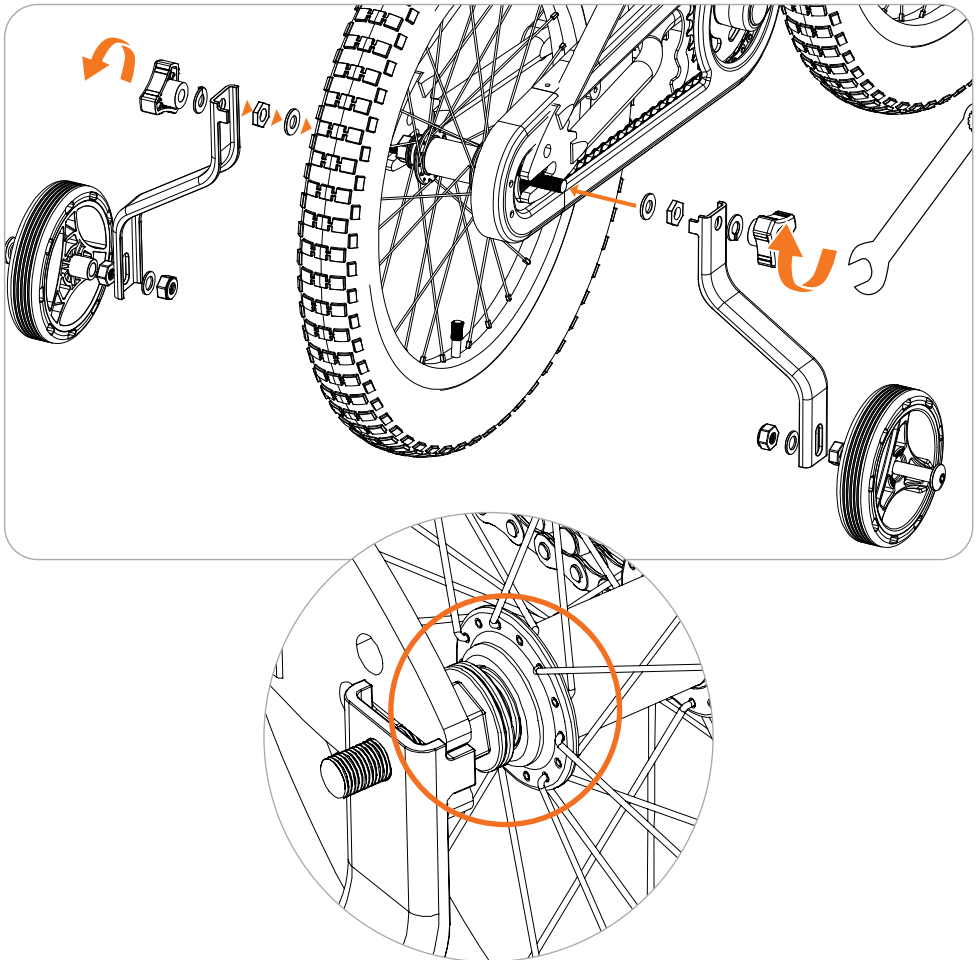
8.10. INSTALLING TRAINING WHEELS

To Attach the Training Wheels to the Frame

1. Position Training Wheel leg on the rear axle.
2. Then place a spring washer followed by a training wheel securing handle onto the axle.
3. Tighten handle until hand tight.
4. Check training wheel is secure and does not move before use.

NOTE: Do not over-tighten. This will damage the Clamp.

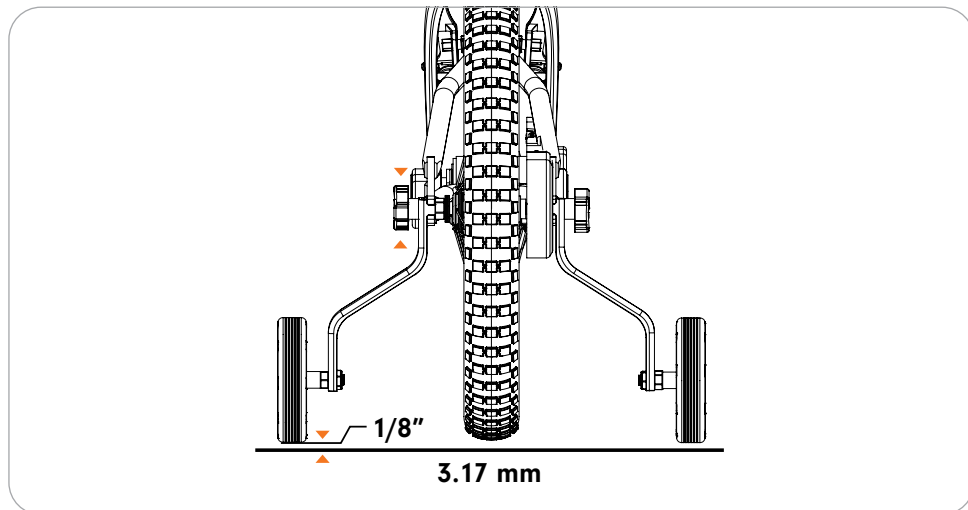
WARNING: Make sure the notched tab of the Training Wheel leg is to the rear of the axle and in the slot of the frame.



Adjusting Training Wheel Height:

1. Make sure that both Training Wheels are the same distance from the ground ($\frac{1}{8}$ " / 3.17mm) and pointing straight down.
2. Tighten wheel axle nuts securely.

Operation:



WARNING: Before each ride, make sure both axle nuts are tight. Also make sure both training wheels are the same distance from the ground.

As your child's ability improves, you may raise and eventually remove the training wheels. Raising the training wheels little by little will help them learn to ride on the bicycle's two wheels.

- **To move the training wheels**, loosen the training wheel axle nuts, slide the axle to the correct position, and retighten the axle nuts.
- **To remove the training wheels**, remove the training wheel securing handle and slide the spring washer and training wheel leg off the axle.

WARNING: When riding with training wheels:

- Ride only on level areas.
- Do not ride on steep hills, uneven sidewalks, or near steps. The bicycle can tip over if a training wheel goes off the edge of the riding surface.
- Ride straight up and down sloped surfaces, because the bicycle can tip over when riding across sloped surfaces.
- Slow down at corners because you can not turn as quickly as bicycles without training wheels.

9.0. Rim and Disc Brake System Setup

NOTE on HANDBRAKES:

In Australia/New Zealand/China:

- Left Brake Lever controls the Rear Brake
- Right Brake Lever controls the Front Brake

Most other Countries:

- Left Brake Lever controls the Front Brake
- Right Brake Lever controls the Rear Brake

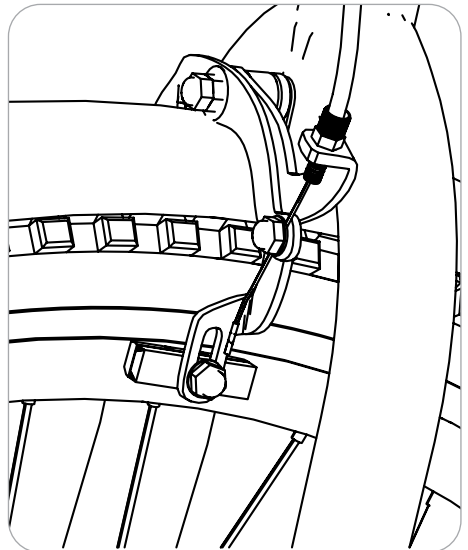
NOTE: The brake cables for front and rear brakes shall be positioned on the right or left brake lever according to the legislation of custom and practice of the country in which the bicycle is sold.

WARNING: You must adjust the front and rear brakes before you ride the bicycle.

NOTE: FRONT AND REAR BRAKE SETUP IS THE SAME.

9.1. BRAKE PAD SETUP

1. Loosen the screw of each brake pad.
2. Adjust the brake pad so it is flat against the rim and aligned with the curve of the rim.
3. Make sure each brake pad does not rub the tyre.
4. If the surface of the brake pad has arrows, make sure the arrows point toward the rear of the bicycle.
5. Hold each brake pad in position and tighten the screw.

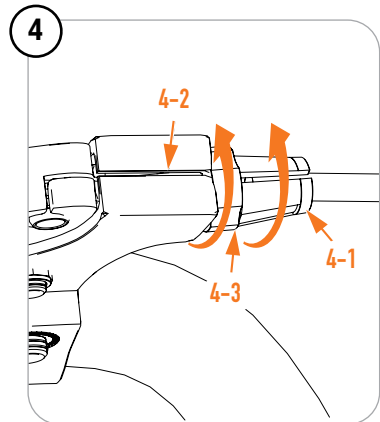
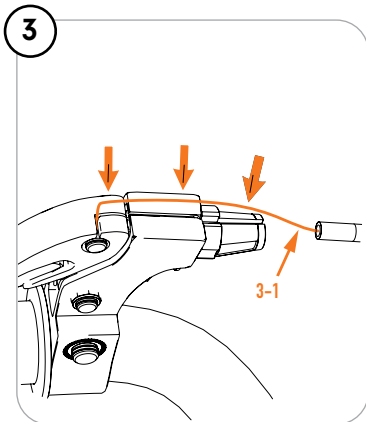
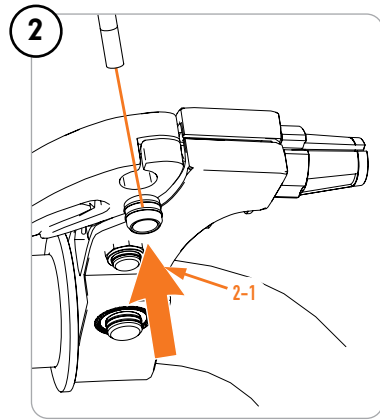
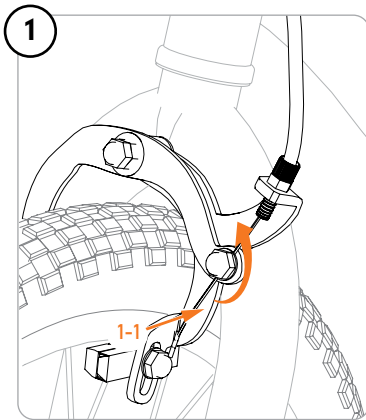


Test Brake Pad Tightness

- Try to move each brake pad out of position.
- If a brake pad moves, do Brake Pad Setup again, but tighten the screw tighter than before.
- Do this test again, until each brake shoe does not move.

9.2. CABLE TENSION AND SETUP

1. Loosen Cable Nut so that the cable is loose.
2. Squeeze brake arms so that brake pads are against the rim.
3. Pull brake cable tight.
4. Tighten cable nut.
5. Adjust cable nut for 1.5mm (1/16inch) brake pad clearance.
6. Make sure the brake lever is not loose.
7. Make sure cable housings are fully seated in adjustment housing at the caliper and brake lever.
8. Rotate brake levers into a comfortable riding position and tighten securely.



9.3. COASTER BRAKE

These models are equipped with a rear ‘coaster’ brake that is operated by rotating the cranks in a backward direction..

Function:

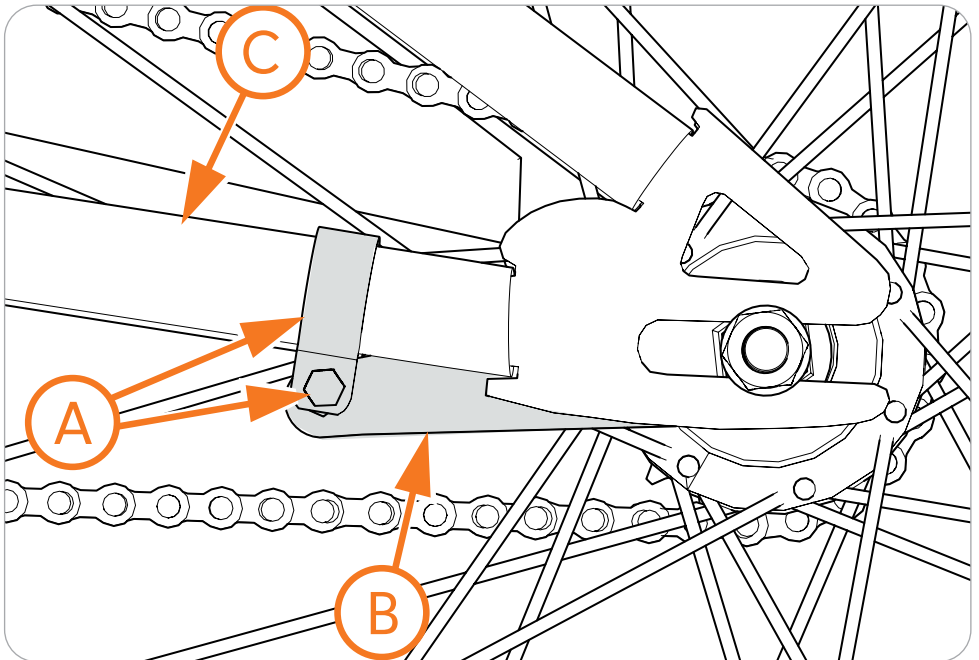
Operate the coaster brake as follows:

- Push the pedals backward to move the chain backward.
- The chain activates the coaster brake mechanism that is inside the rear wheel hub.
- As you push the pedals backward with increasing force, the braking action of the coaster brake increases.

If your bicycle has a caliper brake in addition to the coaster brake, always use the coaster brake as the main brake to stop the bicycle.

WARNING: If you do not obey the following instructions, injury to the rider or to others can occur:

- When you ride the bicycle for the first time, test the coaster brake and practice using it at a low speed in a large level area that is free of obstacles.
- Every time the bicycle is ridden, make sure the clamp on the brake arm is securely attached to the chainstay of the bicycle frame. The coaster brake will not function as intended if the brake arm is not properly attached to the chainstay.



10.0. Streamers, Pads, Bags

NOTE: NOT ALL BICYCLES HAVE ALL ACCESSORIES.

Streamers:

- Insert each streamer in the hole in the end of each handlebar grip.
- Ensure the streamer is fully inserted so that it does not come loose.

Handlebar Pad (For applicable models):

- Remove the cover from the handlebar pad.
- Push the foam pad over the handlebar brace.
- Wrap handlebar pad cover around foam pad and close with the hook and loop strip.

NOTE: ATTACH STRAPS SECURELY. DO NOT OVER-TIGHTEN.

WARNING:

- Make sure front reflectors are not blocked by bags or baskets.
- Handlebar bag/basket weight limit: 2.3kg (5lb).

11.0. Bell and Handlebar Features

Bell and Features:

- If the mounting screw is factory installed, remove it and set aside.
- Open the clamp just enough to fit on the handlebar.
- Position the bell / accessory so that it is perpendicular to the ground and positioned as shown.
- Tighten screw securely. Do not over-tighten. This can damage the clamp.

12.0. Maintenance, Repair and Service Schedules

NOTE: After initial use, bicycles should be checked. As an example, cables stretch through use, and this can affect the shifting quality or braking performance. We recommend that your bicycle is checked by a trained professional two months after purchase.

In order to keep your bicycle in its best working condition, follow these simple guidelines. Keep in mind however:

- These are only general tips for all bicycles
- Different riding styles and different machines can require other, more specific maintenance.
- Mountain bicycles tend to require more frequent maintenance than other models.
- If you notice any other problems, or have any questions about bicycle maintenance, please contact a Vuly support member.

12.1 MAINTENANCE SCHEDULE

Every Ride	Monthly OR 800 KM
Check tyre pressure and inflate as required. It is recommended to purchase a floor pump with a gauge.	Clean your bicycle with bicycle wash, a rag, and soft bristle brush and inspect frame/components for damage.
Check tyres for debris, thorns, etc. that could cause a puncture.	Wipe the chain, cassette, and chainrings with a rag, brush and degreaser. Relube with bicycle chain lube.
Make sure that the quick-releases or axle bolts on the wheel are tight and secure.	Use a wrench to check the tightness of the crank arms, pedals, chainring bolts, stem/bar/seatpost bolts, and all other mounting bolts.
Lift each wheel off the ground and spin - look for wobbles or rim damage. Wobbly wheels should be straightened by a professional.	Lubricate pivot points on brakes, derailleurs and pedals if applicable.
Check your brake pads for wear and make sure they are contacting the rim or disc properly.	Check all cables and cable housing for wear, kinks, rust, and fraying. Replace as needed and lube cables at entry and exit points.
Check suspension fork for compression and release, and make sure there is no flex or play in the suspension.	Check wheels for loose or damaged spokes.
Check chain for cleanliness, clean if dirty, lubricate if dry.	Maintain, lubricate, and service your suspension components according to the owners' manual.
Six Months OR 5000 KM	12 Months OR 1000 0KM
Thoroughly clean frame and degrease drivetrain. Inspect frame/components for damage.	Overhaul pedals. Replace worn components and grease. Training may be required.
Check tires for wear and replace as needed. Also check your inflation kit to make sure spare parts are in good condition.	Check tires for wear and replace as needed. Also check your inflation kit to make sure spare parts are in good condition.
Check bearing systems (hubs, headset and bottom bracket) for play and/or grinding and grumbling. Replace, adjust, or overhaul as needed.	Check bearing systems (hubs, headset and bottom bracket) for play and/or grinding and grumbling. Replace, adjust, or overhaul as needed.
Check brake pads for wear and replace as needed. Also check for worn grips and handlebar tape and replace as needed.	Check brake pads for wear and replace as needed. Also check for worn grips and handlebar tape and replace as needed.
Check all cables and cable housing for wear, kinks, rust, and fraying. Replace as needed, lube good cables/housing at entry/exit points.	Check all cables and cable housing for wear, kinks, rust, and fraying. Replace as needed, lube good cables/housing at entry/exit points.
Check cassette and chainrings for wear; check chain for wear, tight links, and bent links. Also check derailleur cages for damage. Replace drivetrain parts as needed.	Disassemble and lubricate the internals of your inflation kit pump and home floor pump. Check hoses and seals for wear and replace as needed
Maintain, lubricate, and service your suspension components according to the owners' manual.	Maintain, lubricate, and service your suspension components according to the owners' manual.

13.0. Warranty Information

AUSTRALIAN CONSUMER LAW

Our goods and services come with guarantees that cannot be excluded under the Australian Consumer Law. For major failures with the service, you are entitled:

- to cancel your service contract with us; and
- to a refund for the unused portion, or to compensation for its reduced value.

You are also entitled to choose a refund or replacement for major failures with goods. If a failure with the goods or a service does not amount to a major failure, you are entitled to have the failure rectified in a reasonable time. If this is not done you are entitled to a refund for the goods and to cancel the contract for the service and obtain a refund of any unused portion. You are also entitled to be compensated for any other reasonably foreseeable loss or damage from a failure in the goods or service.

All *Vuly* products are sold with a manufacturing warranty, which assure that the item is free of defects in workmanship and materials (“warranty”).

We provide comprehensive after-sales service, which we believe encourages the customer to purchase a *Vuly* bicycle instead of those of our competitors.

13.1. WARRANTY PERIODS

Warranty periods do not reset for any reason, unless the customer purchases a new product. In this case, that particular item will be covered by its own warranty period. It does not affect – nor will it increase – warranty periods for other purchased items.

Warranty periods always commence from the date of item delivery.

This warranty is for use under normal conditions, and it applies for:

Bicycles:

- Frame and rigid fork: 5 years.
- Suspension fork and other Bicycle components: 2 years.

Accessories

- Accessories: 1 year.

13.2. INCLUSIONS

This warranty covers manufacturing faults and defects only.

If a product is damaged or rendered unsafe as a result of a departure from its design specifications during production, this constitutes a manufacturing fault or defect.

This may occur if – for example – use of incorrect textiles during manufacturing causes a Safety Net to disintegrate, or if improper welding produces an unstable Frame.

13.3. EXCLUSIONS

13.3.1. Damage through wear and tear

This warranty does not extend to normal wear and tear of the product. This may include, but is not limited to:

- Rusting of steel components,
- UV deterioration of textile components,

As outdoor products that are actively used, Bicycles and their accessories will experience wear and tear over time.

13.3.2. Damage through weather conditions

Damage to the product that results from weather events – such as rain or wind – are not covered under the warranty. Vuly suggests that you contact your home and contents insurer if your bicycle is damaged by such events.

13.3.3. Damage through improper installation

This warranty does not extend to any failure of the product caused by installation not in accordance with the Vuly Manual. Customers must assemble their Vuly product by following carefully the Installation section of their Vuly Manual.

Furthermore, the warranty does not cover installation provided by a third-party assembly service. It is the customer's responsibility to check all boxes and confirm that all components are included in the correct condition before installing.

13.3.4. Damage through insufficient care or maintenance

This warranty does not extend to accelerated decay of the product caused by poor care or maintenance. It is essential that customers regularly check, and follow the advice of, the Care and Maintenance sections of their Vuly Manual to ensure that their product lasts as long as possible.

13.3.5. Damage through inappropriate use

This warranty will be void if the product is used for any other activity besides those for which it was intended.

Any evidence that inappropriate actions that have led to product failure will not be covered by

the warranty. Similarly, replacement parts or repairs needed to mend such damage will not be covered under the warranty.

13.3.6. Loss through theft

This warranty does not extend to cover products lost as a result of theft or misplacement of the items. In instances such as this, *Vuly* recommends you contact your local police station.

13.3.7. Personal Injury

The warranty does not cover personal injury or losses due to any of the above: wear and tear, weather conditions, inappropriate installation, insufficient care or maintenance or inappropriate use, nor does it cover damage due to negligence or accidents.

13.4. WARRANTY CLAIMS

If a customer believes that a *Vuly* product is faulty or defective, they must discontinue use and submit a Warranty Claim.

A customer must not attempt to use a product if any part is faulty or defective, as it may be dangerous. Any damage that the user causes as a result of using faulty or defective products will lead to voiding of the warranty.

13.4.1. Making a Warranty Claim

To fulfil a warranty claim, a customer must submit an online Warranty Claim at www.vulyplay.com/support.

- Submitting the online Warranty Claim form requires the customer to provide:
- Details of their purchase – including date,
- Batch number,
- Clear photographic evidence of the manufacturing fault or defect.

If the customer does not provide all details that the form requires, their Warranty Claim will not be assessed.

Vuly may take up to 7 days to process Warranty Claims upon a completed submission. It may take a further 7 days for replacement parts to reach the customer.

13.4.2. Successful Warranty Claims

If *Vuly* accepts a customer's Warranty Claim, *Vuly* will replace the faulty or defective parts, not offer refunds.

Successful Warranty Claims lodged within 7 days of the delivery date

Vuly will replace the damaged parts free of charge. *Vuly* will also cover any costs associated with shipping the replacement part.

Successful Warranty Claims lodged after 7 days of the delivery date

Vuly will replace the damaged parts free of charge. The customer must cover any costs associated with shipping the replacement part.

13.4.3. Refunds

In all instances of successful warranty claims, *Vuly* offers replacements parts only. *Vuly* provides refunds only at their discretion.

13.4.4 Claiming on non-*Vuly* products

Products sold alongside *Vuly* that are not *Vuly*-branded are subject to the warranties provided by the companies that supply them. The customer must contact these external companies to make a warranty claim; *Vuly* itself will not assess claims made against non-*Vuly* products.

14.0. Owner's Bicycle Identification Record _____

NOTE: THIS INFORMATION IS ONLY AVAILABLE ON THE BICYCLE ITSELF.

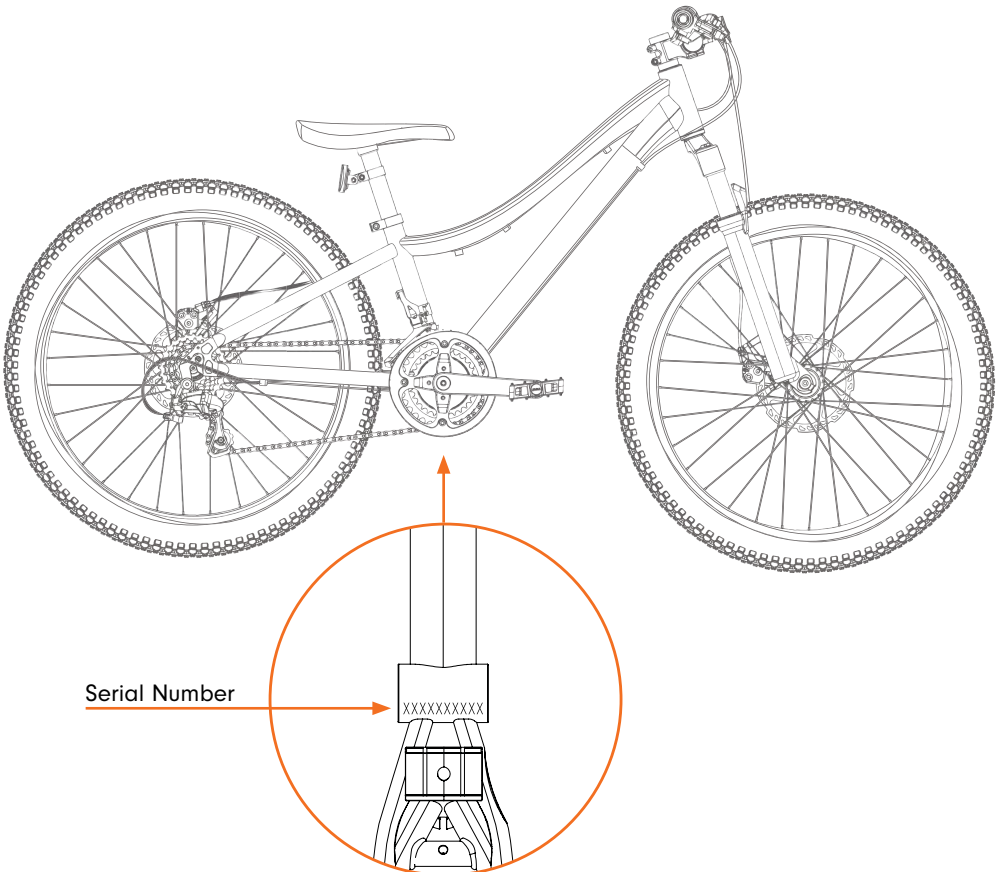
Each bicycle has a unique serial number stamped into the frame. The serial number can be found on the bottom of the bottom bracket as shown.

For identification purposes, please make sure to write this serial number below and keep it for future reference. If the bicycle is stolen, give this number and a description of the bicycle to the police. This will help them find the bicycle.

Serial Number: _____

Purchase Date: _____ / _____ / _____

Bicycle Model: _____



**KEEP
PEDALLING**





See vulyplay.com/terms for the most recent Vuly warranty policies, terms and conditions.