

 | Shade Cover

FOR FLARE

---

MANUAL

---





**IMPORTANT:** For safety, never leave the shade cover attached to your trampoline if strong winds are expected. Strong winds may lift up against the shade cover, causing the trampoline to move.

The Vuly Shade Cover will not provide safety from harsh weather, nor will it extend the life of the trampoline. It is designed only to offer shelter from sunlight and for recreational use (e.g. for nighttime camping).

## WEATHER CARE



Remove your Shade Cover when not in use for extended periods, and avoid leaving it attached to your trampoline in heavy rain, gusty or stormy conditions. This will preserve the life of the Shade Cover and postpone fading, sagging or tearing.

## SAFETY NOTICE

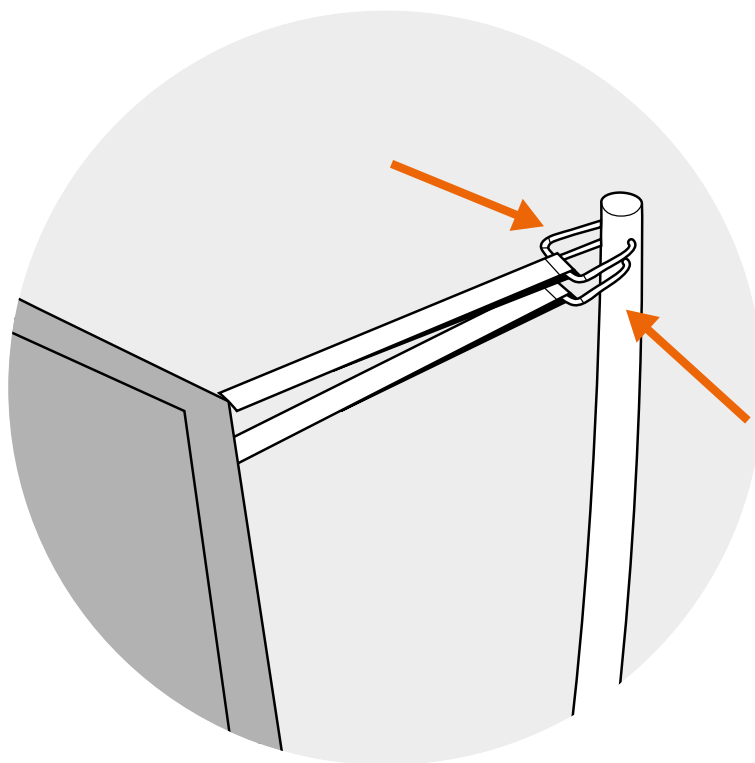
Shade Cover may not offer full and complete protection from the sun while on your trampoline. When using your trampoline and Shade Cover, Vuly recommends wearing appropriate clothing, headwear and sunscreen to adequately shield your skin from UV light.

## STEP | 1

- A. Stand on a ladder outside your trampoline. Find the tag on your Shade Cover, and position it in front of the trampoline door. Take the U-shackle to the right of this tag, and insert it into the holes at the top of the Upper Net Pole at the right of the door (above the Safety Net connection).

**Remember:** Ensure the orange side of the Shade Cover is facing upwards.

- B. Go around your trampoline, securing U-shackles to each Net Pole, until you have fully attached the Shade Cover.



## CONGRATULATIONS!

You have finished assembling your Vuly Shade Cover for Flare.



[vulyplay.com](http://vulyplay.com)